

SmartStack Party Wall

Fixing

- The GRP SmartStack Chimneys must be installed by a qualified fitter under the supervision of a person responsible for technical matters on site.
- The area on the roof to receive the GRP Chimney is prepared by installing support noggins inside the rafters and fire retardant panels level with the top of the rafters screwed at maximum 250mm centres to the noggins.
- The GRP Chimney is lifted onto the prepared roof structure using the lifting eye. When applying roof membrane, a 25 X 38mm batten is installed under the outside of the abutment gutter flange, running the full length of the gutter using 35mm round head screws provided.
- A timber support fillet is fitted under the lead flashing to allow the flashing to be dressed onto the tiles correctly.
- The lifting eye is removed from the top of the chimney and the pot(s) are screwed fully onto the bolt provided, ensure the SmartStack pot is mastic sealed to the chimney.
- These instructions do not absolve the installer of the responsibility of checking the suitability of the chosen fixings are compatible with the type of roof construction being used. All fixings are to be installed in strict accordance with the manufacturer's instructions.
- Fitting instructions can also be obtained from BBA Certificate No. 18/5539.

Handling

- The GRP SmartStack Chimneys are delivered to site attached to a small timber pallet.
- Remove the GRP SmartStack Chimney from the timber pallet and hoist chimney onto the roof using the M.S. Lifting eye on top of the chimney pot.
- Remove the protective packaging only when fixing is imminent.
- Care should be taken not to damage the surface of the GRP.

Storage

- Always store the Chimney on the pallet provided on level ground, covered and dry.
- If stored externally, do not expose to direct sunlight whilst inside the packaging.

Maintenance

- GRP is low maintenance and will not require regular painting or decorating.
- To maintain its finish we advise cleaning periodically using an ammonia free detergent solution. Abrasive cleaners, wire wool or scourers should not be used as they may scratch the finished surface.
- Small areas of accidental site damage can be easily repaired, kits are available from Stormking for a small charge.



Technical helpline:

01827 311100

www.stormking.co.uk

STORMKING®

GRP BUILT OFF-SITE.
SAVE TIME ON-SITE.

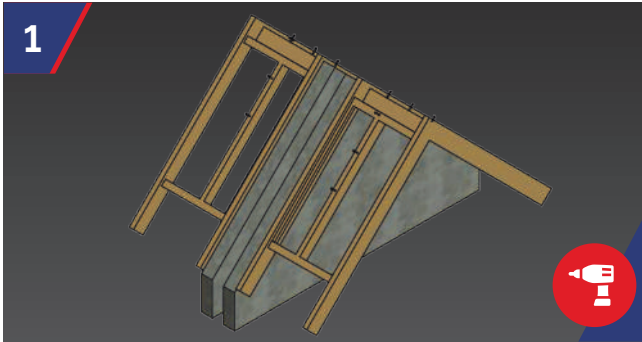
GRP CHIMNEYS

SmartStack Party Wall

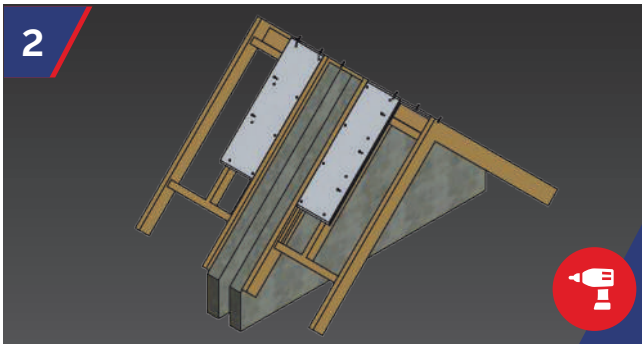
Installation Instructions



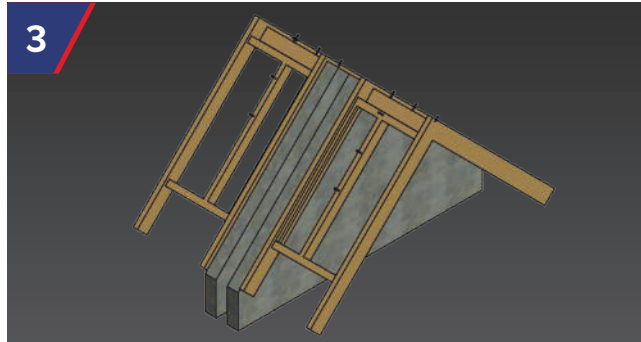
SmartStack - Traditional Party Wall GRP Chimneys



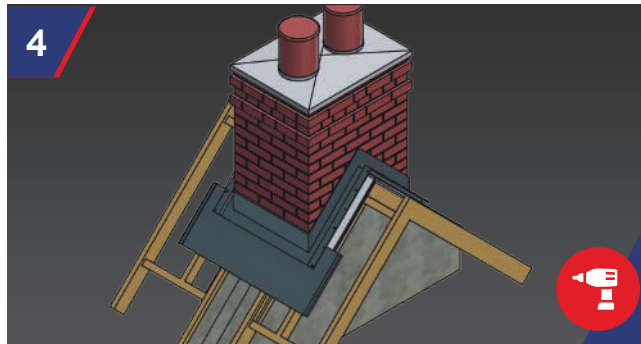
1
Install noggin to take chimney gutter fixings set 25mm below top of rafter line.



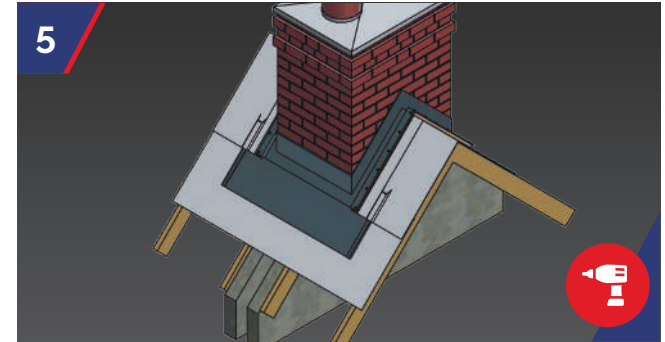
2
Install 2 No. layers 290x900x12.5mm fire retardant boards screw fixed to gutter support noggins to each side of wall and each side of roof (8 Boards in total) using 5 x 70mm S/S Round Pozi Woodscrew at 250mm maximum centres.



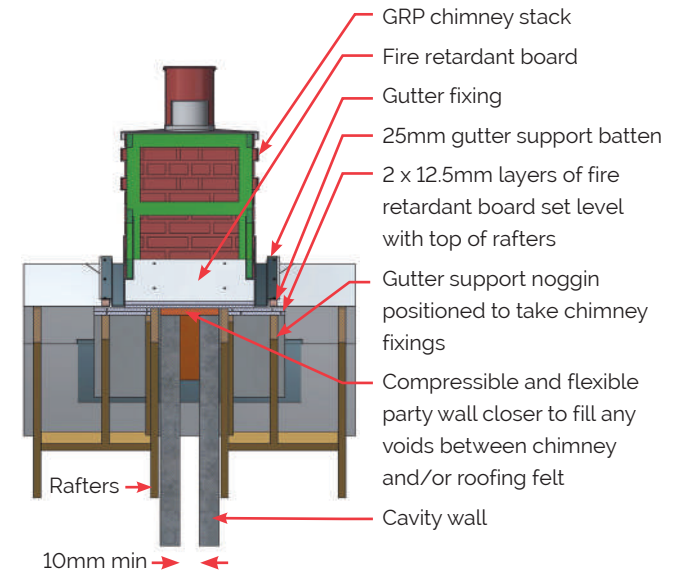
3
Apply short section of cavity fire stop (supplied by others) to continue link with remainder of wall fire stop and to close any voids.



4
Install GRP Chimney. Screw fix chimney through 25mm gutter batten and 2 x layers of fire retardant board into support noggin using 5 x 100mm S/S round pozi woodscrew at maximum 150mm centres.



5
Batten out the roof. Lay a lead support fillet at the base of the chimney to ensure the lead is fully supported and on a continuous downward fall. Using full and half tiles (tile and half preferred) set tiles within a maximum of 15mm from the side of the chimney. This inside tile now covers the foam strip. Drill and nail all abutment tiles and adjacent tiles.

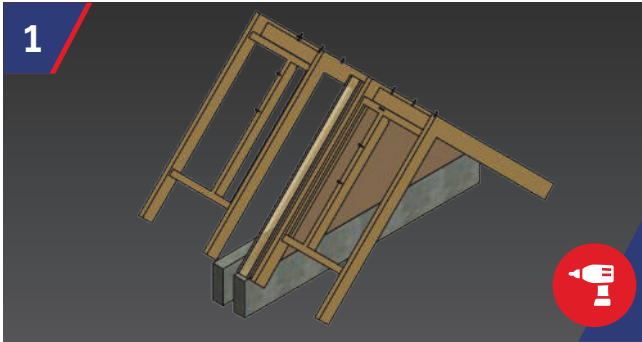


Technical helpline:

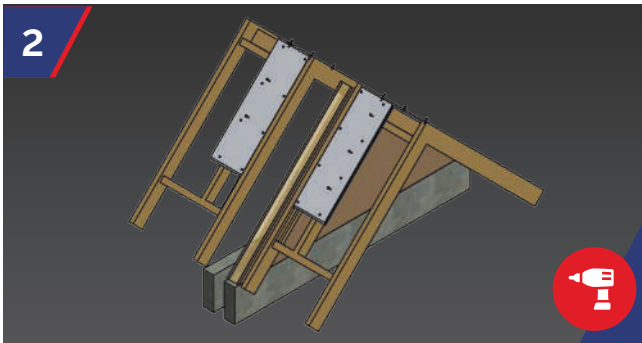
01827 311100

www.stormking.co.uk

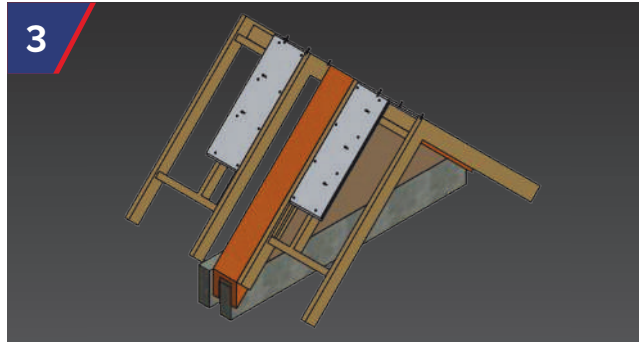
SmartStack - Spandrel Party Wall GRP Chimneys



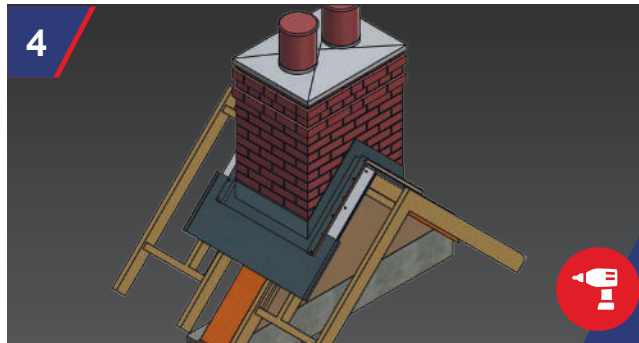
1
Install noggin to take chimney gutter fixings set 25mm below top of rafter line. Spandrel panel set 50mm below level of rafters.



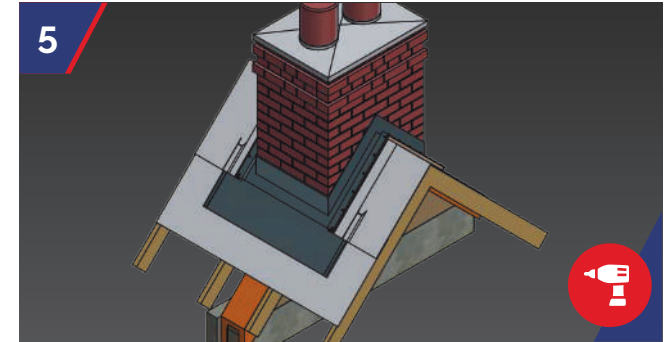
2
Install 2 No. layers 290x900x12.5mm fire retardant boards screw fixed to gutter support noggins to each side of wall and each side of roof (8 Boards in total) using 5 x 70mm S/S Round Pozzi Woodscrew at 250mm maximum centres.



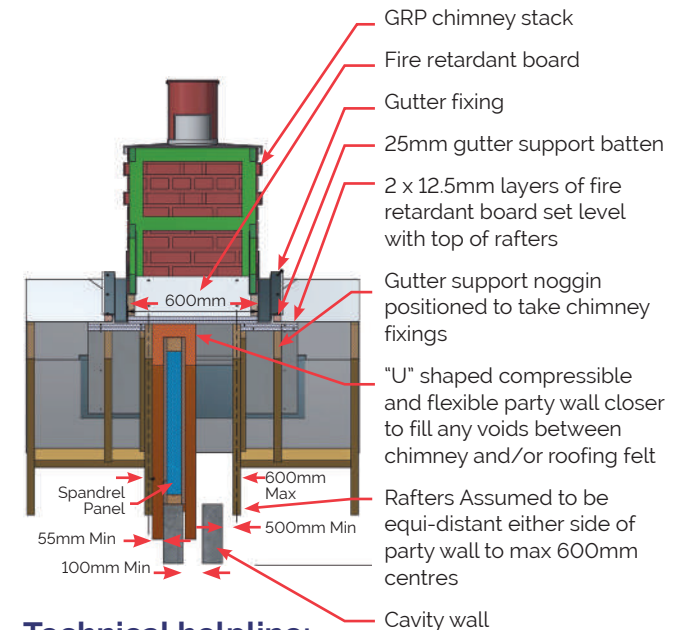
3
Apply short section of "U" shaped fire stop (supplied by others) to continue link with remainder of wall fire stop and to close any voids.



4
Install GRP Chimney. Screw fix chimney through 25mm gutter batten and 2 x layers of fire retardant board into support noggin using 5 x 100mm S/S round pozzi woodscrew at maximum 150mm centres.



5
Batten out the roof. Lay a lead support fillet at the base of the chimney to ensure the lead is fully supported and on a continuous downward fall. Using full and half tiles (tile and half preferred) set tiles within a maximum of 15mm from the side of the chimney. This inside tile now covers the foam strip. Drill and nail all abutment tiles and adjacent tiles.



Technical helpline:

01827 311100

www.stormking.co.uk