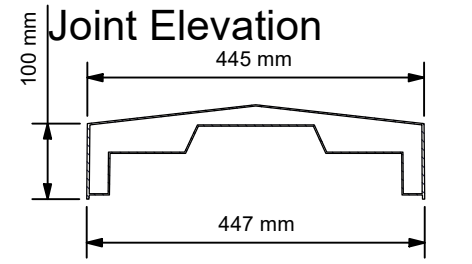
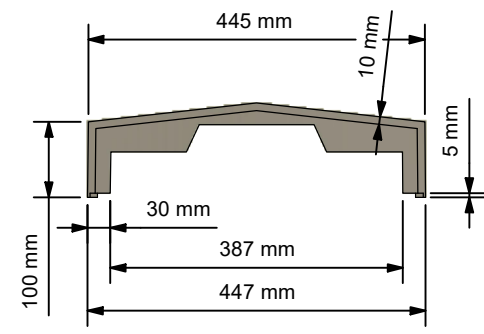
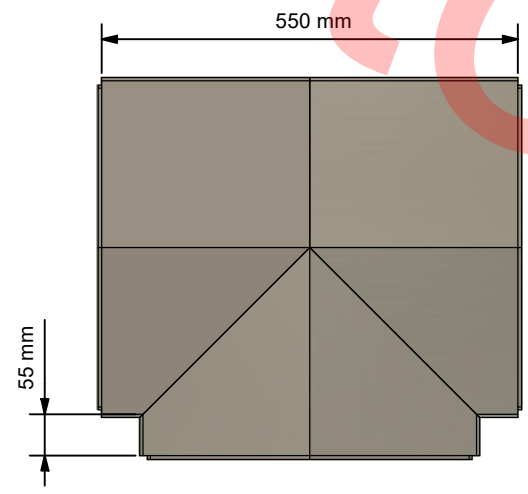


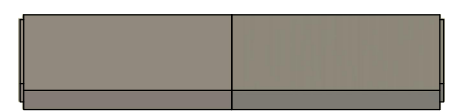
Typical Elevation (1 : 10)



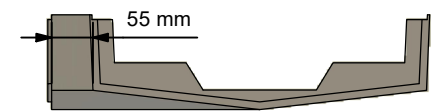
Section A-A (1 : 10)



Plan View - T Piece (1:10)



Typical Elevation (1:10)



Typical Elevation (1:10)

B.3	Added To The New Vault For The Json	17/05/2023	RS
B.2	135 Degree Angle Added (24/05/2017)	17/05/2023	RS
B.1	1st Production Issue (09/07/2013)	17/05/2023	RS
B	Added To The Vault (04/07/2013)	17/05/2023	RS
A	1st Issue (04/07/2013)	17/05/2023	RS
REV	DESCRIPTION	DATE	AUTHOR

REVISION HISTORY

STORMKING
 GRP BUILT OFF-SITE.
 SAVE TIME ON-SITE.
 www.stormking.co.uk

Amington Point, Sandy Way, Amington Ind. Est,
 TAMWORTH, Staffordshire. B77 4ED

Description
Solid 450mm Twice Weathered Coping

Designed by
 danpriest

Date
 17/05/2023

Scale
 Checked
 RS

Manufacture Notes

Approved
 DP

Date
 17/05/2023

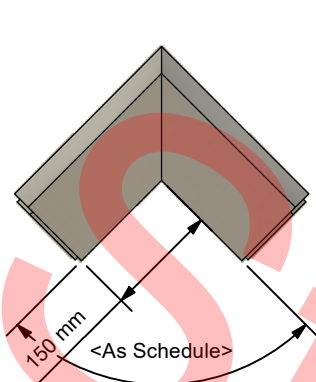
Manuf. App
 DP

Drawing Number
061219

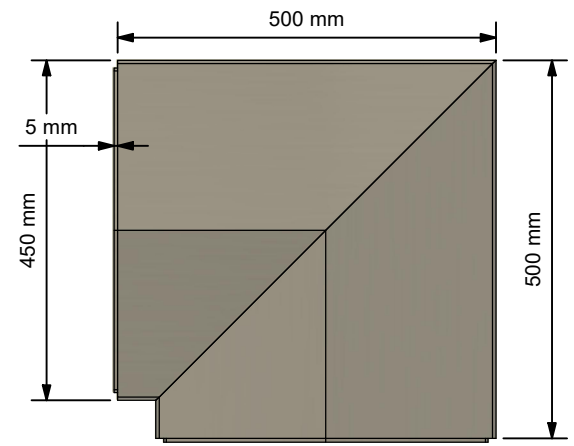
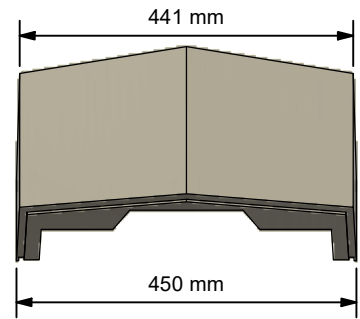
Sheet
1

Of
4

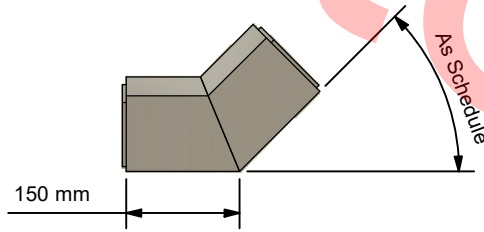
Revision
B.3



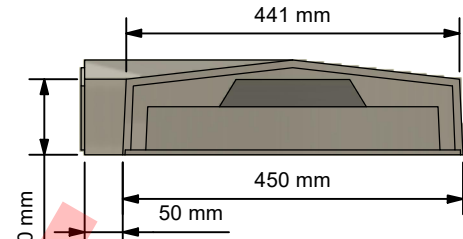
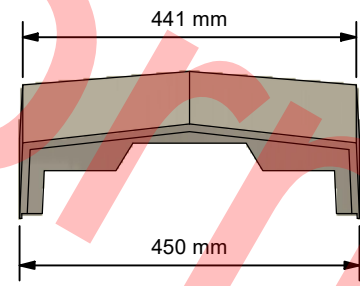
Apex Mitre (1 : 10)



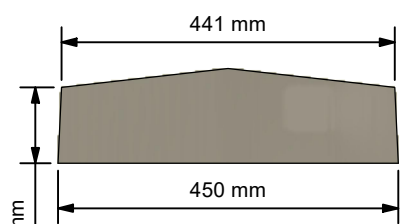
90 Deg External Angle (1 : 10)



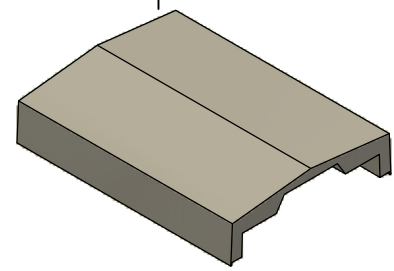
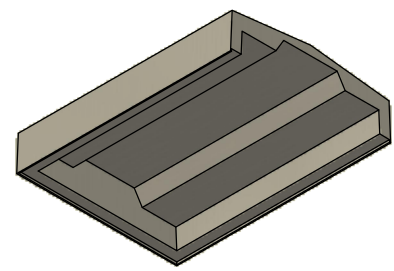
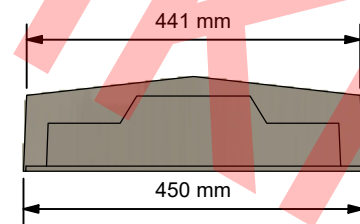
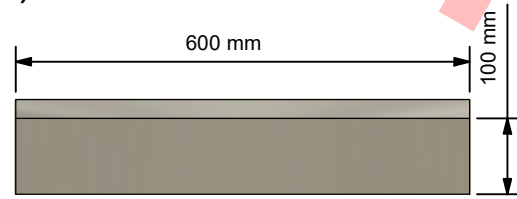
Base Mitre (1 : 10)



Typical Elevation



Stop End (1 : 10)



GRP BUILT OFF-SITE.
SAVE TIME ON-SITE.
www.stormking.co.uk

Description
Solid 450mm Twice Weathered Coping

Designed by
danpriest
Scale

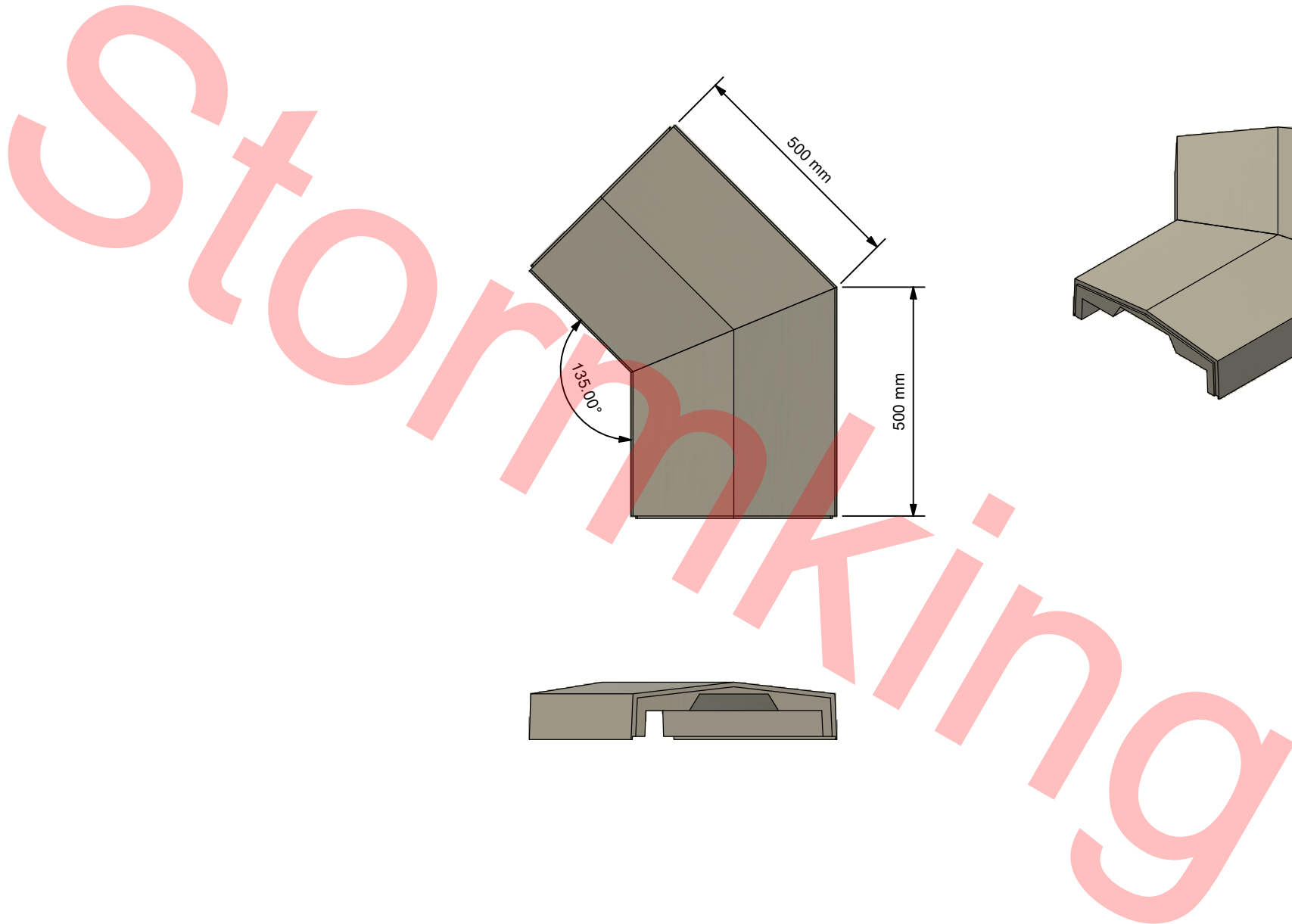
Date
17/05/2023
Checked
RS

Manufacture Notes

Approved
DP
Manuf. App
DP

Date
17/05/2023
Manuf. App
17/05/2023

Drawing Number	061219		
Sheet	Of	Revision	
2	4	B.3	



GRP BUILT OFF-SITE.
SAVE TIME ON-SITE.
www.stormking.co.uk

Amington Point, Sandy Way, Amington Ind. Est,
TAMWORTH, Staffordshire. B77 4ED

Description
**Solid 450mm Twice
Weathered Coping**

Designed by
danpriet
Scale

Date
17/05/2023
Checked
RS

Manufacture Notes

Approved
DP
Manuf. App
DP

Date
17/05/2023
Manuf. App
17/05/2023

Drawing
Number
Sheet
3

061219
Of
4

Revision
B.3

