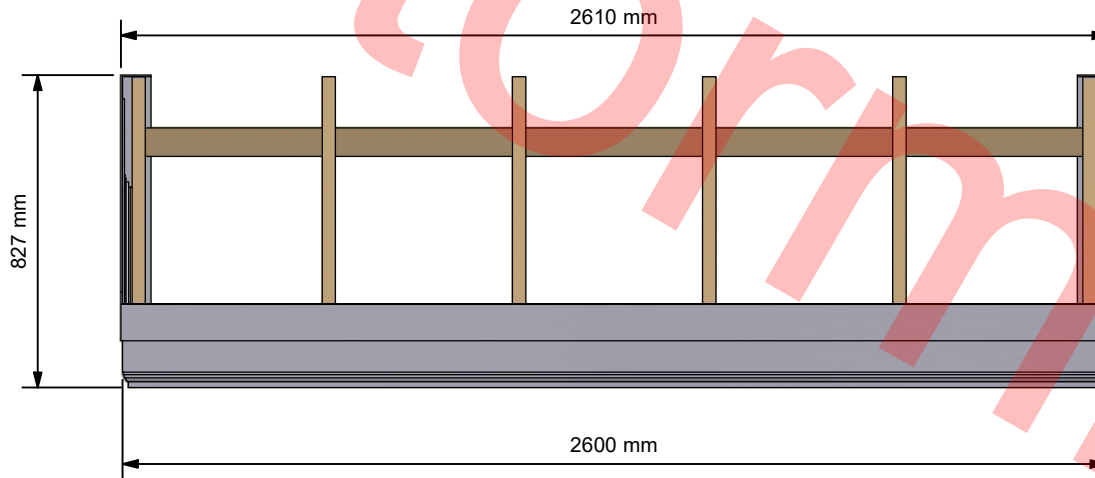
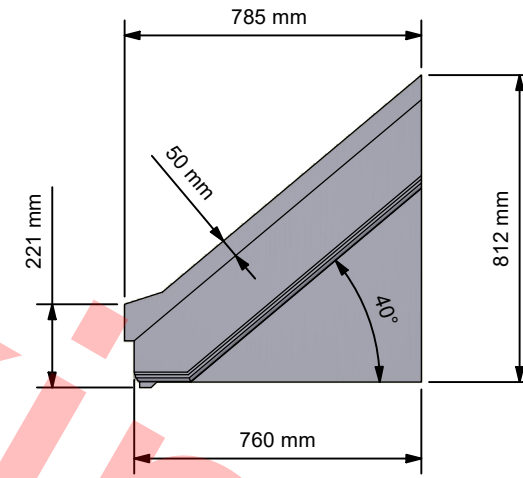


Plan View (1:20)



Front View (1:20)



Side View (1:20)

B.5	Update Timber Properties	06/03/2023	DP
B.4	No Amendment (27/11/2018)	03/03/2023	DP
B.3	Information Added (27/11/2018)	03/03/2023	DP
B.2	Vault Issue (17/06/2013)	03/03/2023	DP
B.1	1st Production Issue (17/06/2013)	03/03/2023	DP
B	Redesign (17/06/2013)	03/03/2023	DP
A	As Built (17/06/2013)	03/03/2023	DP
REV	DESCRIPTION	DATE	AUTHOR

REVISION HISTORY



Description
2600 x 760mm
Lean To Trussed Canopy

Designed by	Date	Manufacture Notes 1. NEW
PO	17/06/2013	
Scale	Checked	
	DP	

Approved	Date	Drawing Number 8120 - 1		
RS	03/03/2023			
Manuf. App	Manuf. App	Sheet	Of	Revision
RS	06/03/2023	1	1	B.5