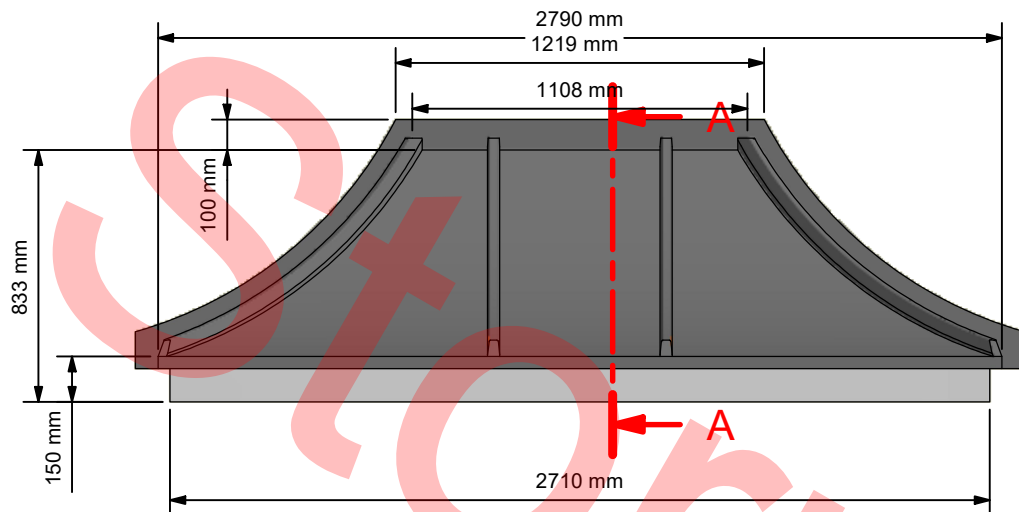
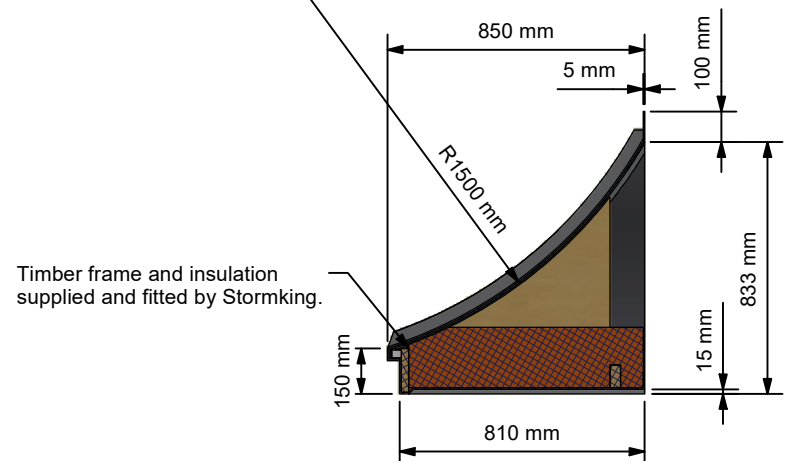


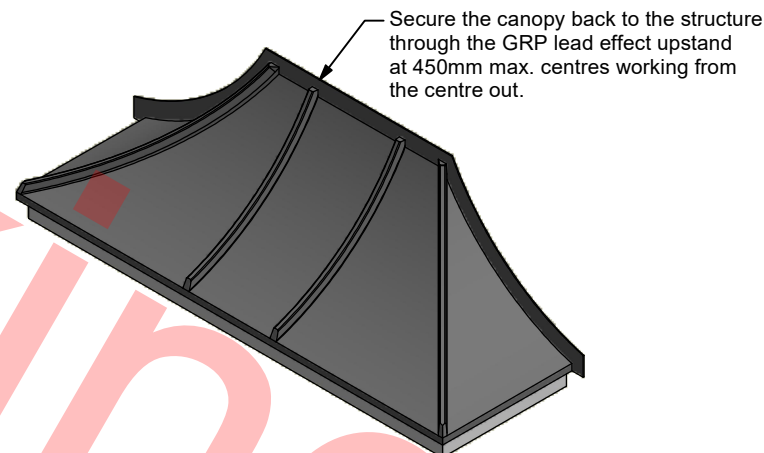
Front Elevation (1 : 25)



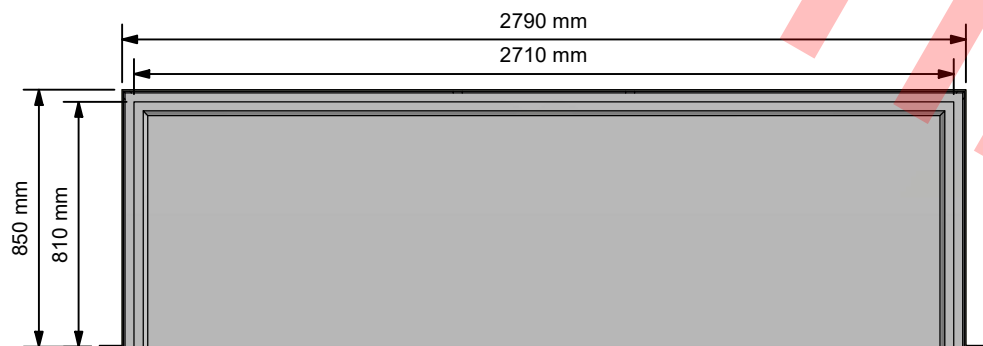
A-A (1 : 25)



Auxiliary View (1 : 35)



Reflected Plan Elevation (View From Beneath) (1 : 25)



B.2	Added To The New Vault For Json File	30/05/2023	RS
B.1	1st Production Issue (11/10/2021)	30/05/2023	RS
B	Added To The Vault Updated To 3D (11/10/2021)	30/05/2023	RS
A	2710mm x 810mm was 2740mm x 820mm C/N 324 (04/03/2013)	30/05/2023	RS
REV	DESCRIPTION	DATE	AUTHOR

REVISION HISTORY

<p>GRP BUILT OFF-SITE. SAVE TIME ON-SITE. www.stormking.co.uk</p>	<p>Description</p> <p>Curved Lead Effect Bay Roof</p>	Designed by	Date	<p>Manufacture Notes</p> <p>1. New.</p>	Approved	Date	<p>Drawing Number</p> <p>2176</p>		
		Dan Priest	30/05/2023		DP	30/05/2023			
		Scale	Checked		Manuf. App	Manuf. App		Sheet	Of
			RS		DP	30/05/2023	1	1	B.2