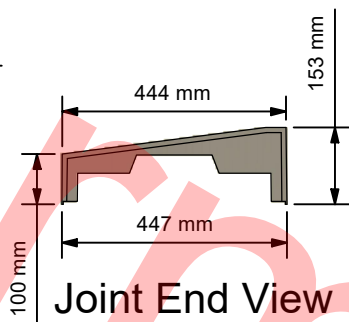
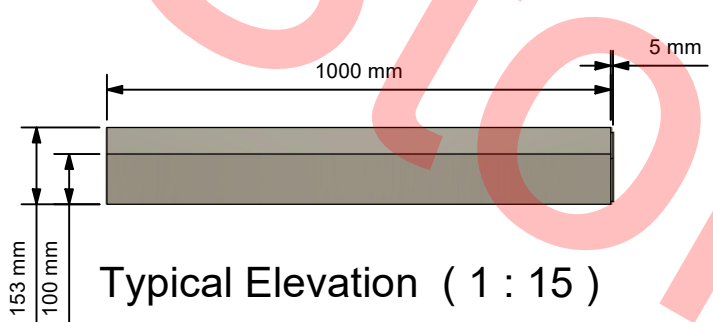
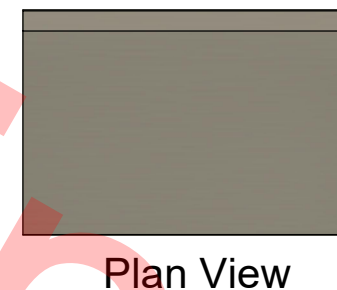
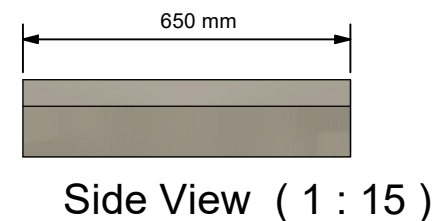
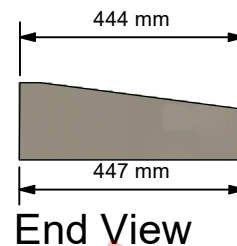


1m Straight Section




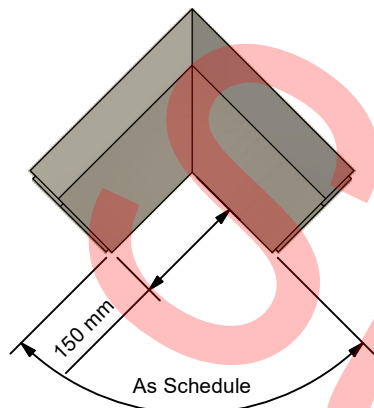
Stop End



C.5	Taken Through A Cycle For Json	10/05/2023	RS
C.4	Added To The New Vault And Fully Labelled	21/02/2023	RS
C.3	Revise Sheet 1 View Layout (03/04/2019)	21/02/2023	RS
C.2	Ext and Int Returns Labelled (05/06/2017)	21/02/2023	RS
C.1	1st Production Issue (19/06/2015)	21/02/2023	RS
C	T Piece Added (19/06/2015)	21/02/2023	RS
B	Sheet 4 Added (19/06/2015)	21/02/2023	RS
A	As Built (19/06/2015)	21/02/2023	RS
REV	DESCRIPTION	DATE	AUTHOR

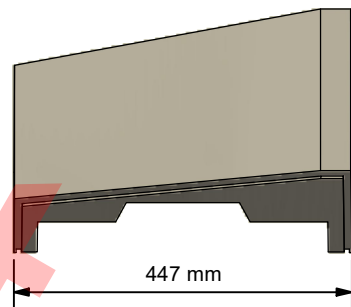
REVISION HISTORY

 <small>GRP BUILT OFF-SITE. SAVE TIME ON-SITE. www.stormking.co.uk</small>	Description Solid 450mm Once Weathered Coping (Wall Upto 350mm)	Designed by	Date	Manufacture Notes 1. New.	Approved	Date	Drawing Number 070152			
		danpriet	21/02/2023		DP	21/02/2023		Sheet	Of	Revision
Amington Point, Sandy Way, Amington Ind. Est, TAMWORTH, Staffordshire. B77 4ED		Scale	Checked		Manuf. App	Manuf. App	Sheet	Of	Revision	
			RS		DP	10/05/2023	1	5	C.5	

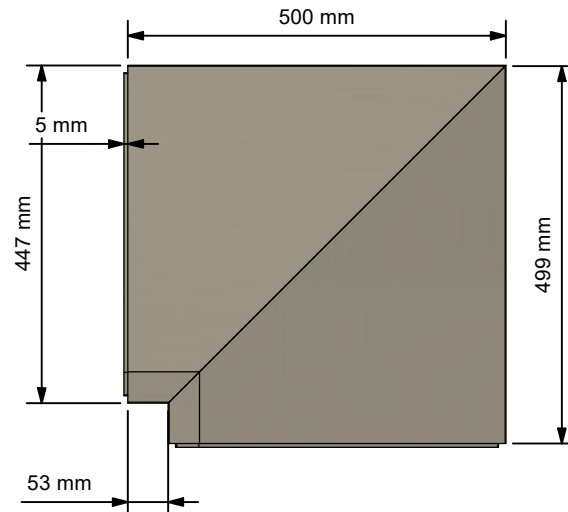


Side View (1 : 10)

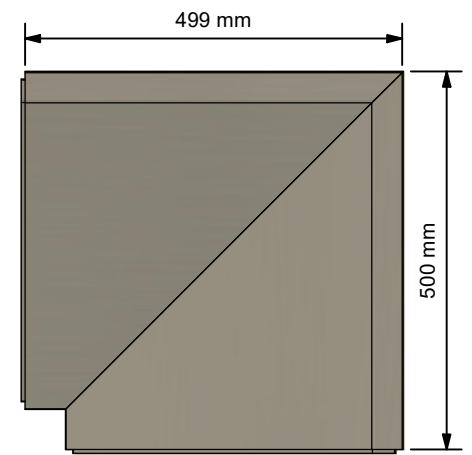
Apex Mitre



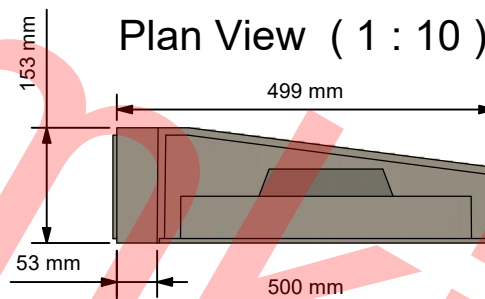
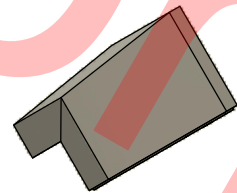
End View



Plan View (1 : 10)

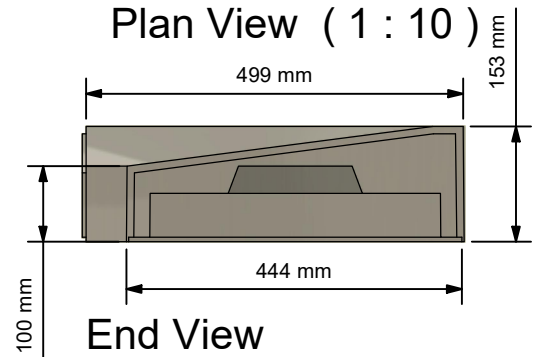


Plan View (1 : 10)



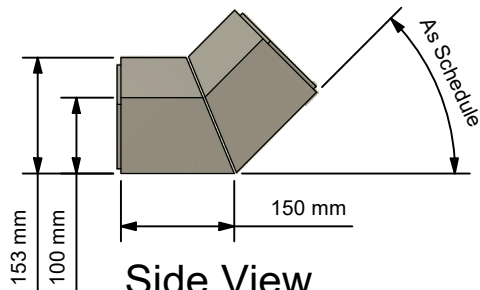
End View

Internal Return



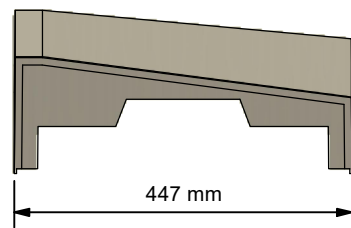
End View

External Return

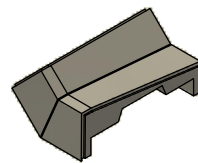


Side View

Base Mitre



End View



GRP BUILT OFF-SITE.
SAVE TIME ON-SITE.
www.stormking.co.uk

Amington Point, Sandy Way, Amington Ind. Est,
TAMWORTH, Staffordshire, B77 4ED

Description
**Solid 450mm Once Weathered
Coping (Wall Upto 350mm)**

Designed by
danpriest
Scale

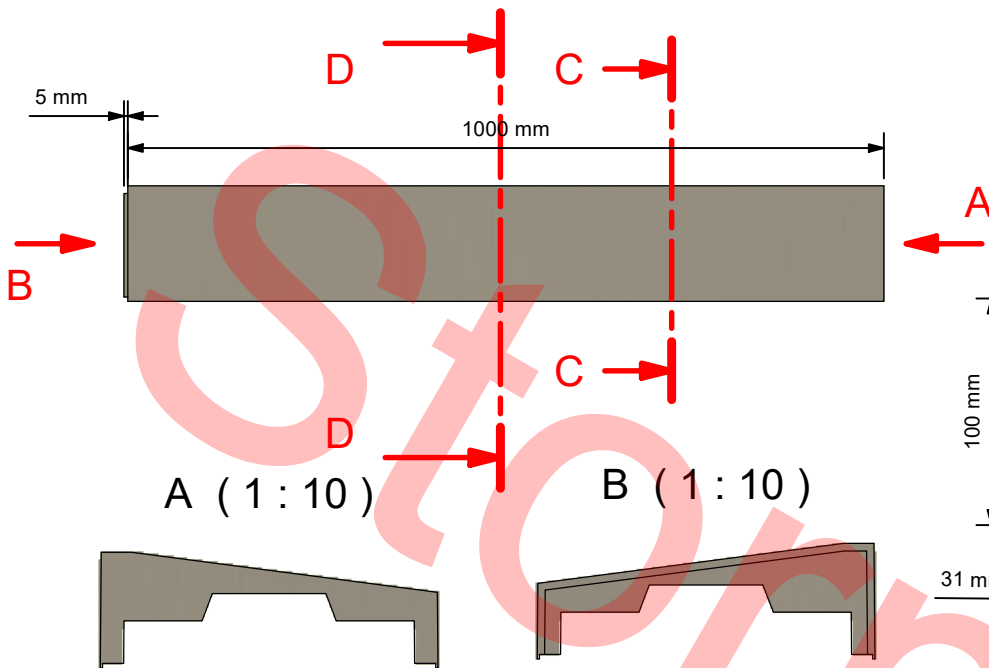
Date
21/02/2023
Checked
RS

Manufacture Notes
1. New.

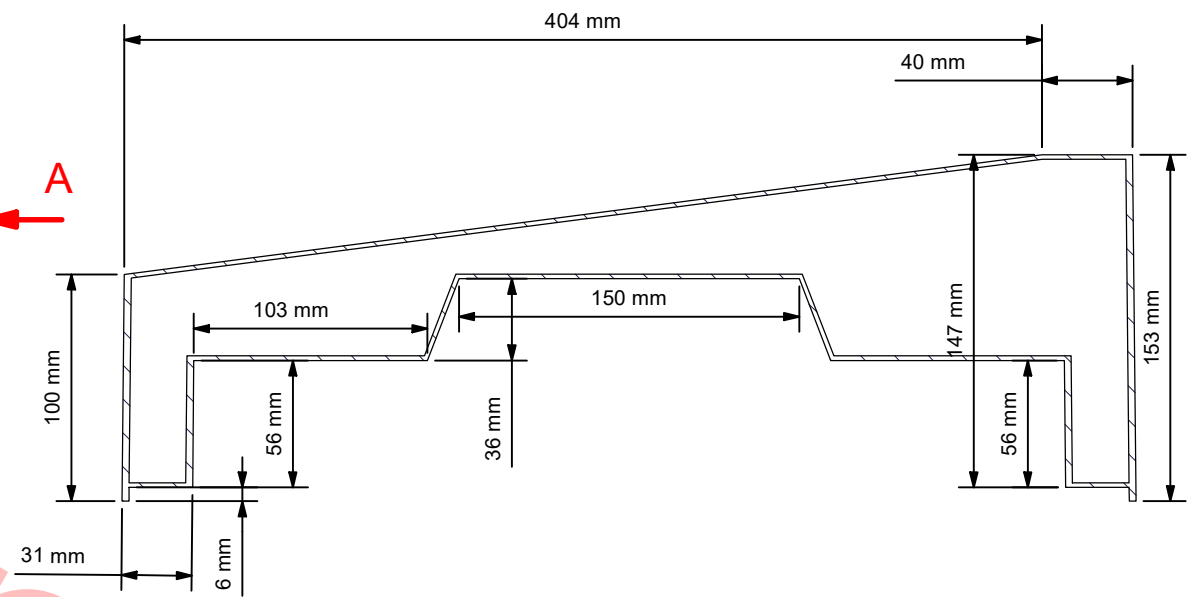
Approved
DP
Manuf. App
DP

Date
21/02/2023
Manuf. App
10/05/2023

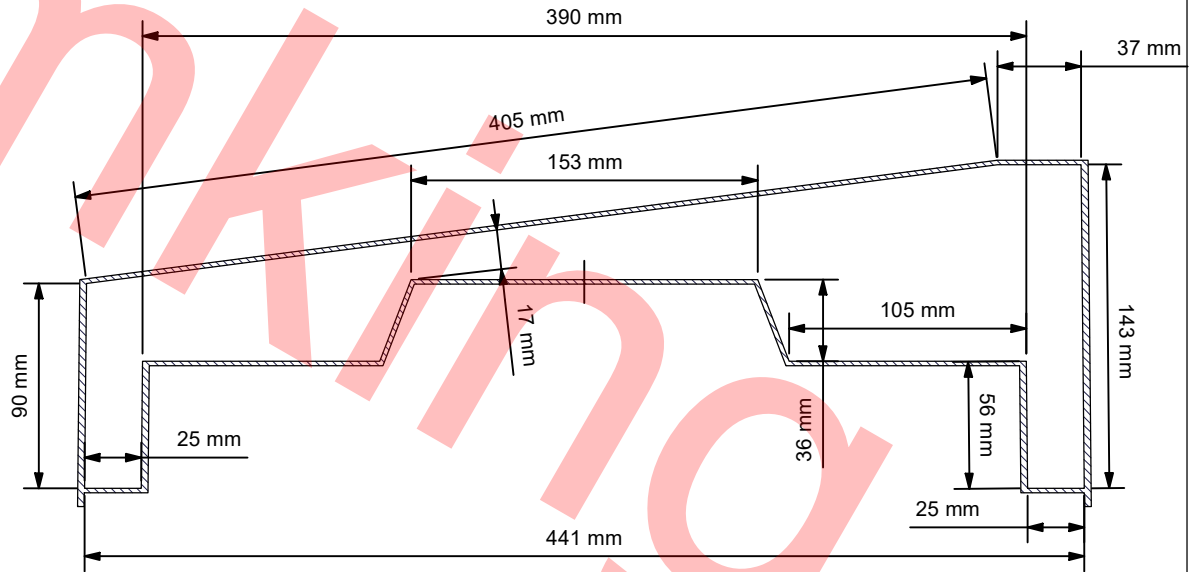
Drawing Number	070152		
Sheet	Of	Revision	
2	5	C.5	



1m Straight Section



C-C (0.30 : 1)



D-D (0.30 : 1)

STORMKING
GRP BUILT OFF-SITE.
SAVE TIME ON-SITE.
www.stormking.co.uk

Amington Point, Sandy Way, Amington Ind. Est,
TAMWORTH, Staffordshire. B77 4ED

Description
**Solid 450mm Once Weathered
Coping (Wall Upto 350mm)**

Designed by
danpriest

Date
21/02/2023

Scale
Checked
RS

Manufacture Notes
1. New.

Approved
DP

Date
21/02/2023

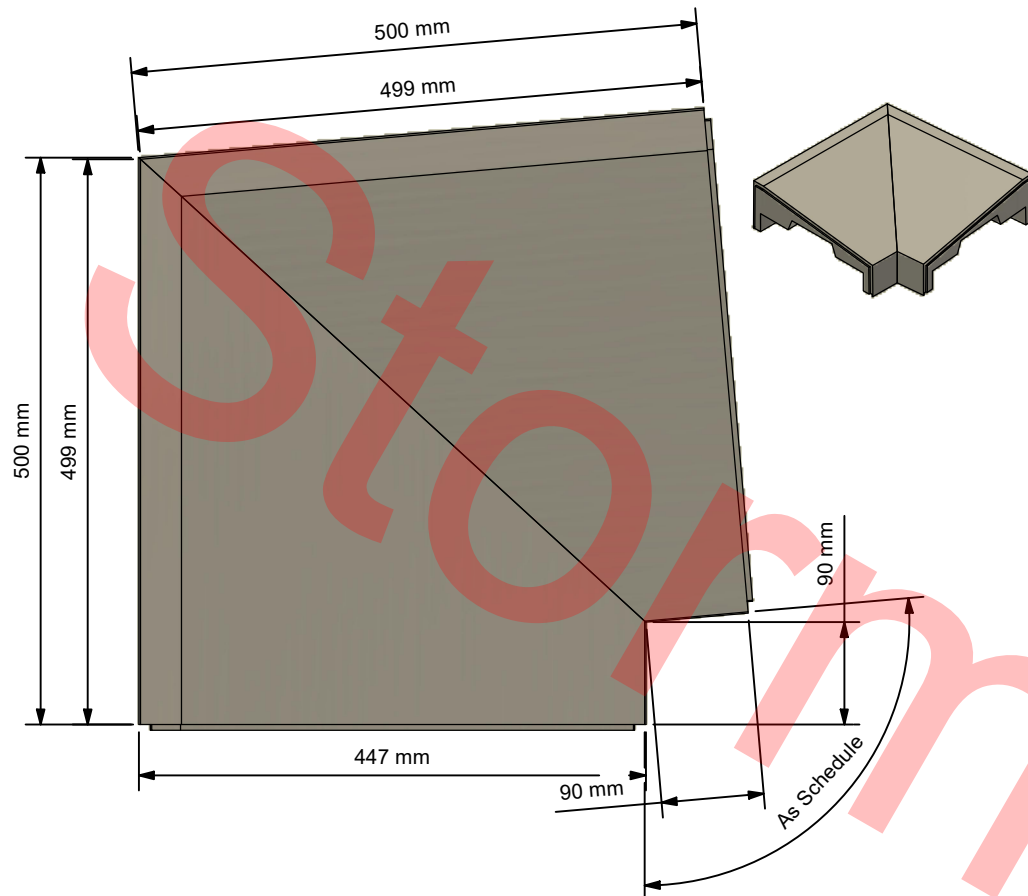
Manuf. App
DP

Drawing Number
070152

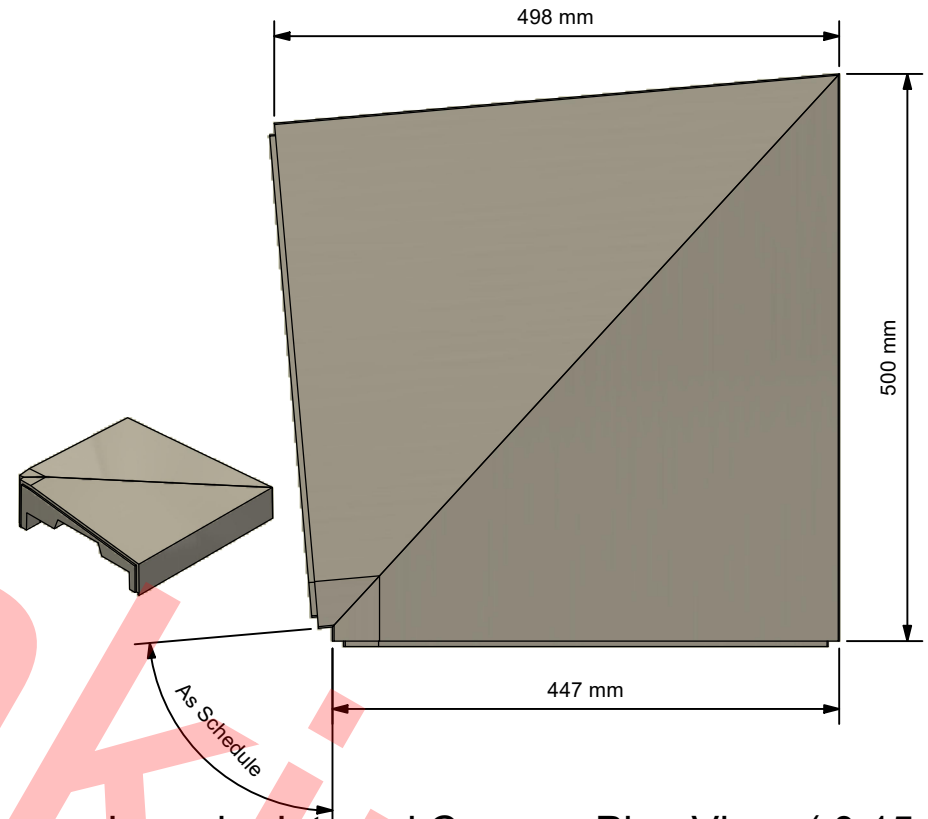
Sheet
3

Of
5

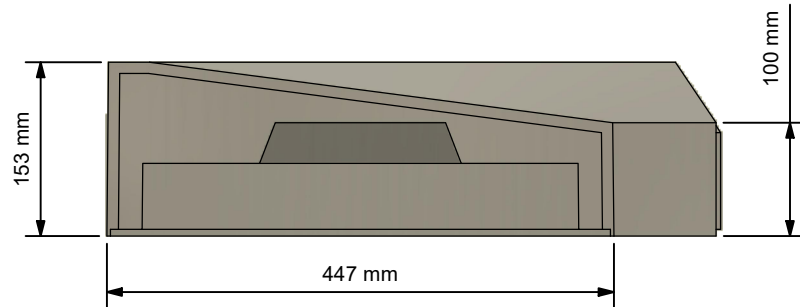
Revision
C.5



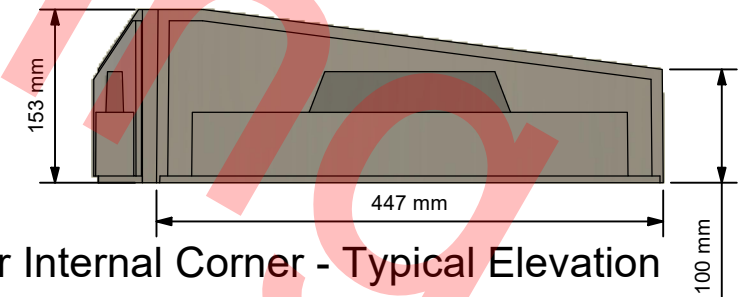
Irregular External Corner - Plan View (0.15 : 1)




Irregular Internal Corner - Plan View (0.15 : 1)

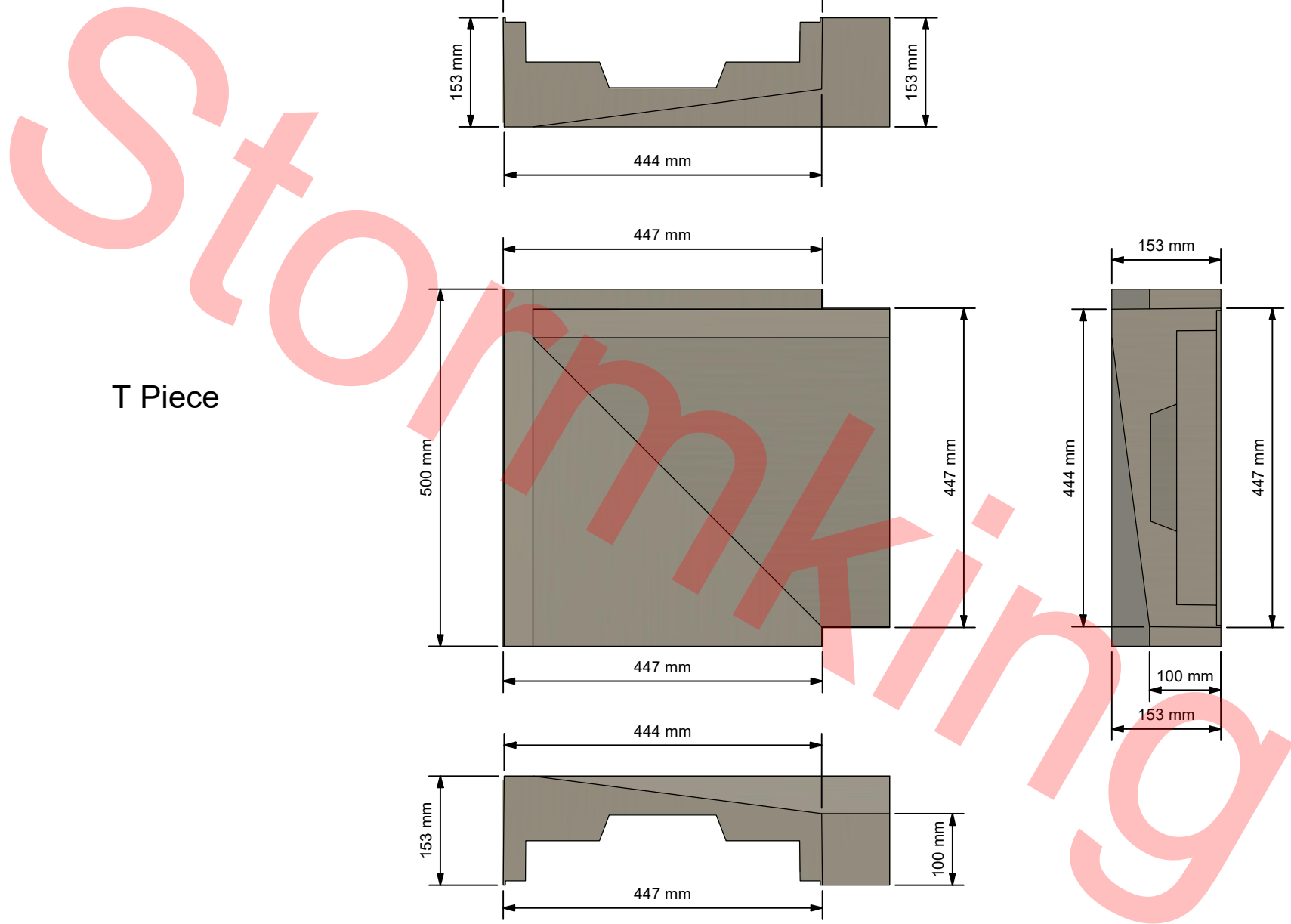


Irregular External Corner - Typical Elevation



Irregular Internal Corner - Typical Elevation

 <small>GRP BUILT OFF-SITE. SAVE TIME ON-SITE. www.stormking.co.uk</small>	Description Solid 450mm Once Weathered Coping (Wall Up to 350mm)	Designed by danpriet	Date 21/02/2023	Manufacture Notes 1. New.	Approved DP	Date 21/02/2023	Drawing Number 070152		
		Scale Checked RS	Manuf. App DP		Manuf. App 10/05/2023	Sheet 4	Of 5	Revision C.5	



T Piece



GRP BUILT OFF-SITE.
SAVE TIME ON-SITE.
www.stormking.co.uk

Amington Point, Sandy Way, Amington Ind. Est,
TAMWORTH, Staffordshire. B77 4ED

Description
**Solid 450mm Once Weathered
Coping (Wall Upto 350mm)**

Designed by
danpriet
Scale

Date
21/02/2023
Checked
RS

Manufacture Notes
1. New.

Approved
DP
Manuf. App
DP

Date
21/02/2023
Manuf. App
10/05/2023

Drawing Number	070152		
Sheet	Of	Revision	
5	5	C.5	