

View A (1 : 5)

B.1	1st Production Issue	09/07/2013	danpriest
B	Irr. Int Angle Added	04/07/2013	danpriest
A	1st Issue	03/07/2013	danpriest
REV	DESCRIPTION	DATE	AUTHOR

REVISION HISTORY

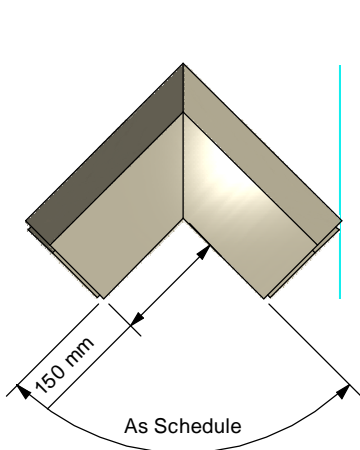


Description
Solid 375mm Once Weathered Coping

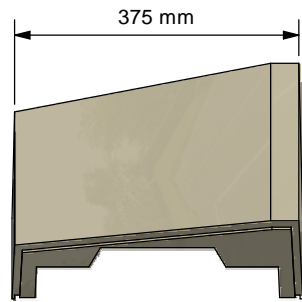
Designed by	Date
danpriest	03/07/2013
Scale	Checked
	GP

Manufacture Notes

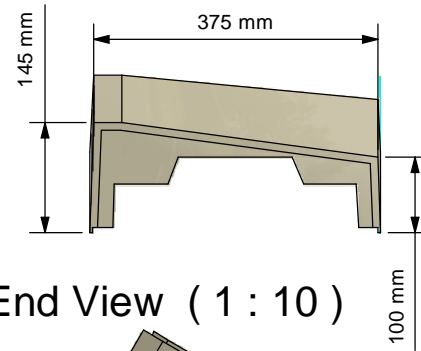
Approved	Date	Drawing Number		
DP	09/07/2013	061220		
Manuf. App	Manuf. App	Sheet	Of	Revision
DP	09/07/2013	1	4	B.1



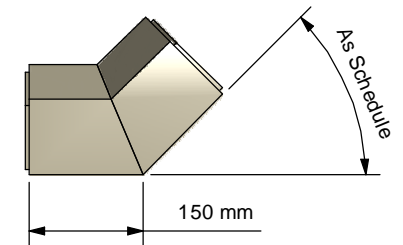
Side View



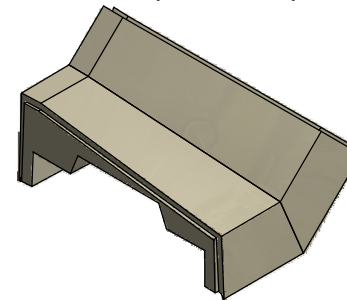
End View



End View (1 : 10)



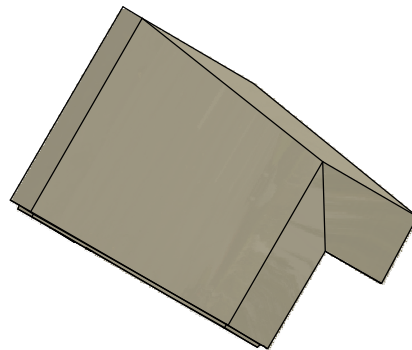
Side View



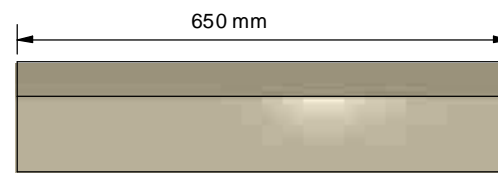
Auxiliary View



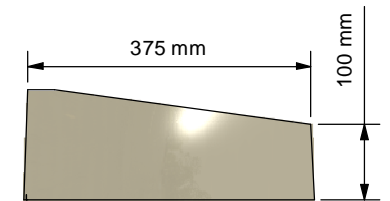
Plan View



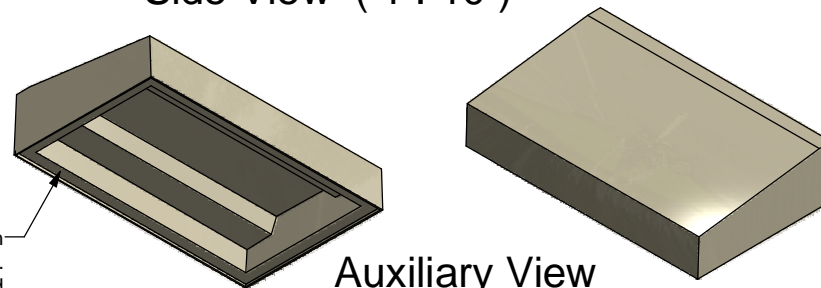
Auxiliary View



Side View (1 : 10)



Blank End View



Auxiliary View

return detail to run on all sides.
One end to be removed on site to acheive handing



Description
Solid 375mm Once Weathered Coping

Designed by
danpriest
Scale

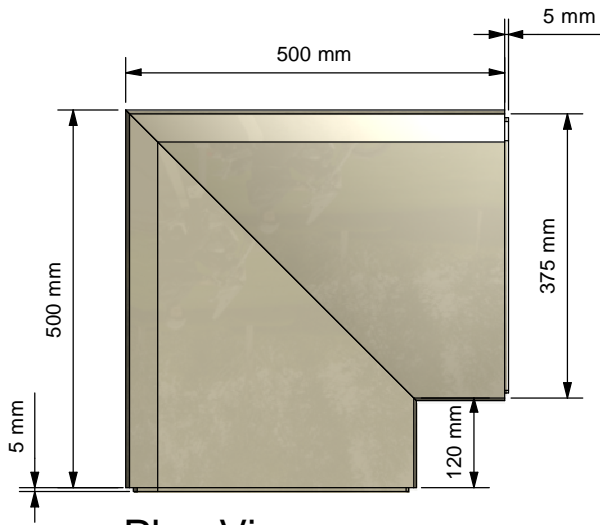
Date
03/07/2013
Checked
GP

Manufacture Notes

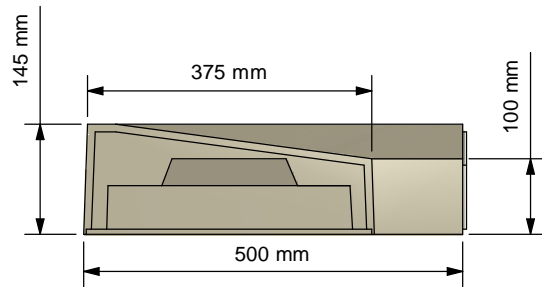
Approved
DP
Manuf. App
DP

Date
09/07/2013
Manuf. App
09/07/2013

Drawing Number	061220		
Sheet	Of	Revision	
2	4	B.1	

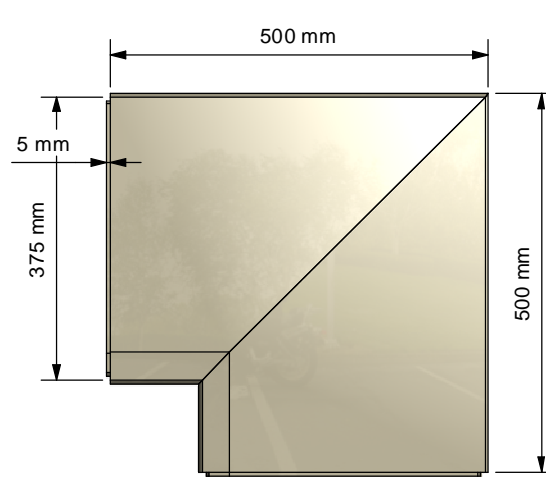


Plan View

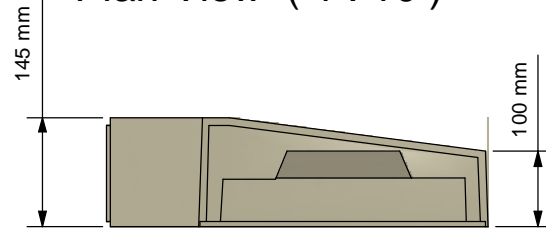


Side View (1 : 10)

90° Internal Angle

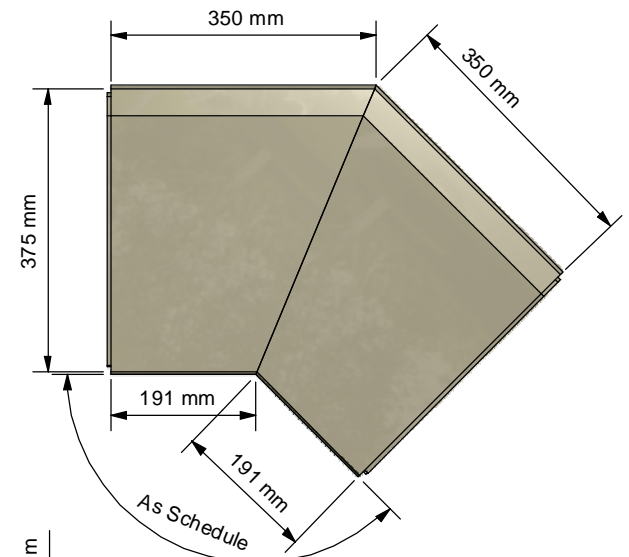


Plan View (1 : 10)

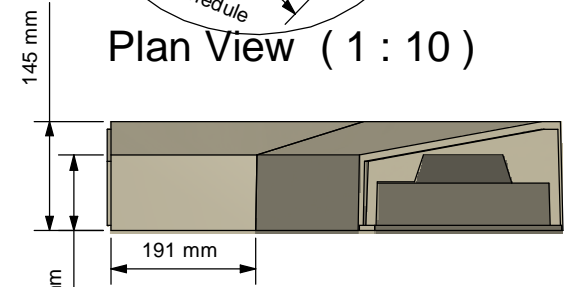


Side View (1 : 10)

90° External Angle



Plan View (1 : 10)



Inner Elevation (1 : 10)

Irregular External Angle



Description
Solid 375mm Once Weathered Coping

Designed by
 danpriest
 Scale
 GP

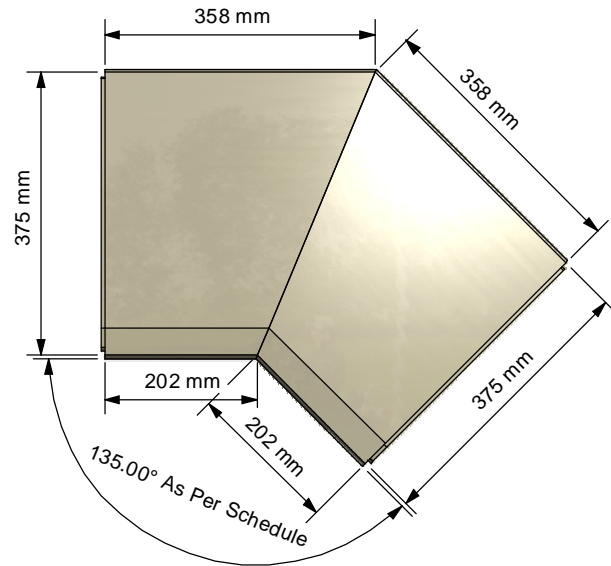
Date
 03/07/2013
 Checked
 GP

Manufacture Notes

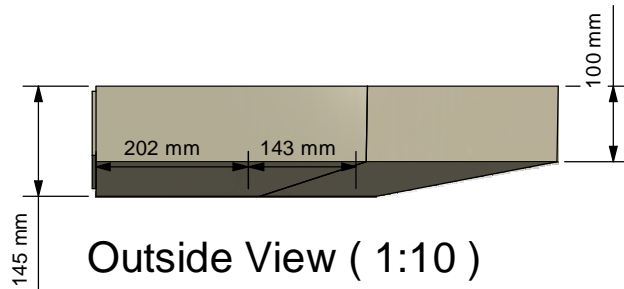
Approved
 DP
 Manuf. App
 DP

Date
 09/07/2013
 Manuf. App
 09/07/2013

Drawing Number	061220		
Sheet	Of	Revision	
3	4	B.1	



Plan View (1:10)



Outside View (1:10)

Irregular Internal Angle