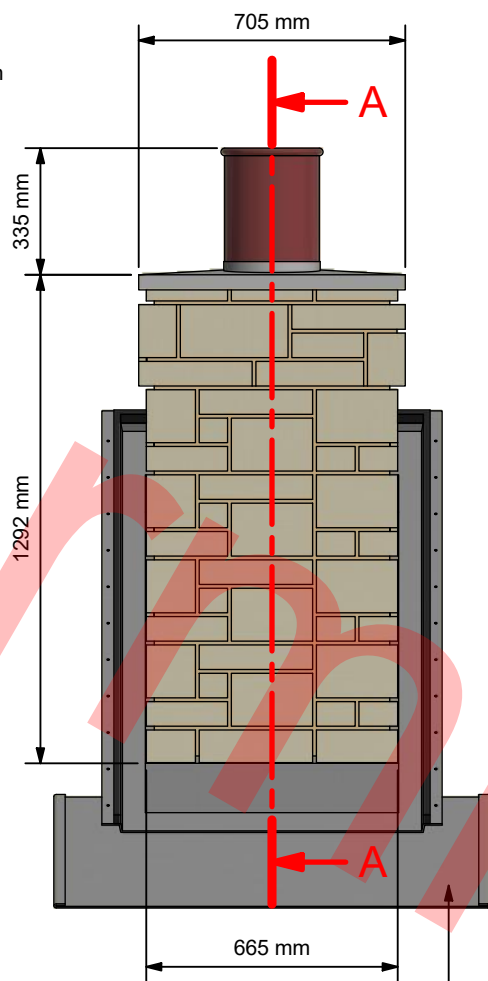
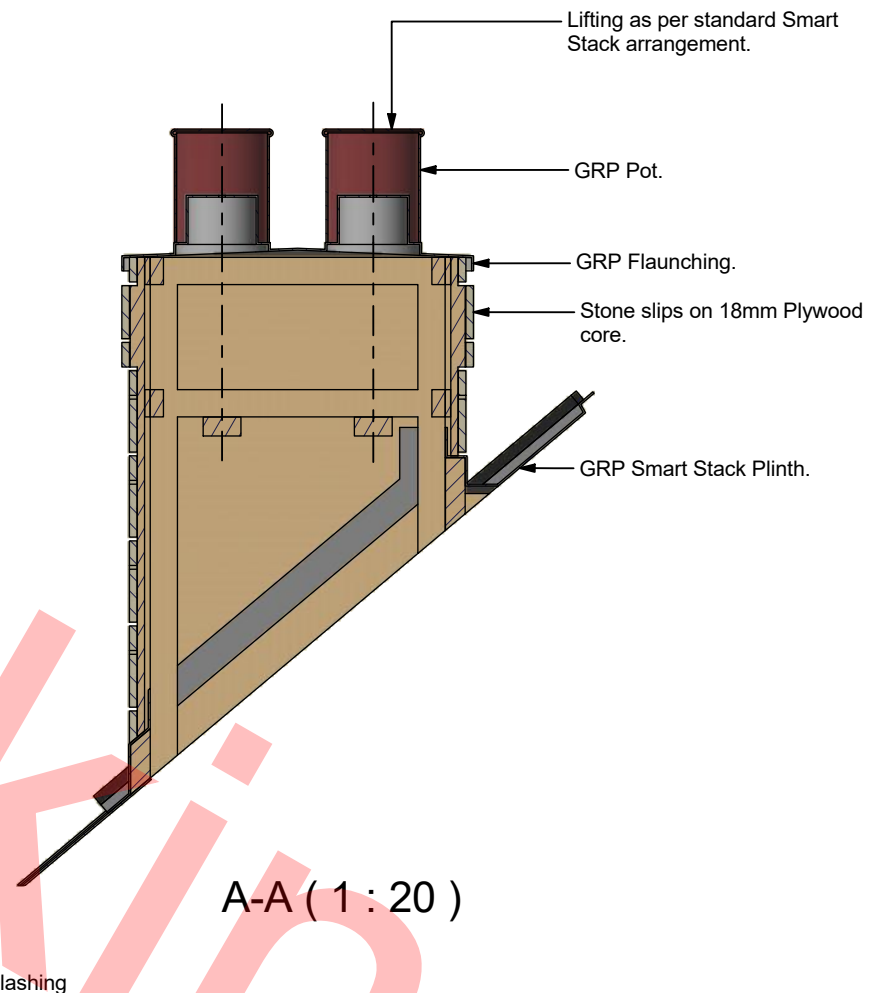


Front Elevation (1 : 20)



Side Elevation (1 : 20)



A-A (1 : 20)

A.1	1st Production Issue	05/02/2020	P O
A	1st Issue	31/01/2020	P O
REV	DESCRIPTION	DATE	AUTHOR

REVISION HISTORY



Description
**665 x 890 x 1300mm
 Smart Stack Rafter Cut
 Stone Slip Chimney**

Designed by
 Richard
 Scale

Date
 30/01/2020
 Checked
 DP

Manufacture Notes
 1. 080781 Flaunching
 080708 Pot
 090151 Plinth
 Plywood Core

Approved RS	Date 05/02/2020	Drawing Number 2001069
Manuf. App	Manuf. App	Sheet 1
		Of 1
		Revision A.1