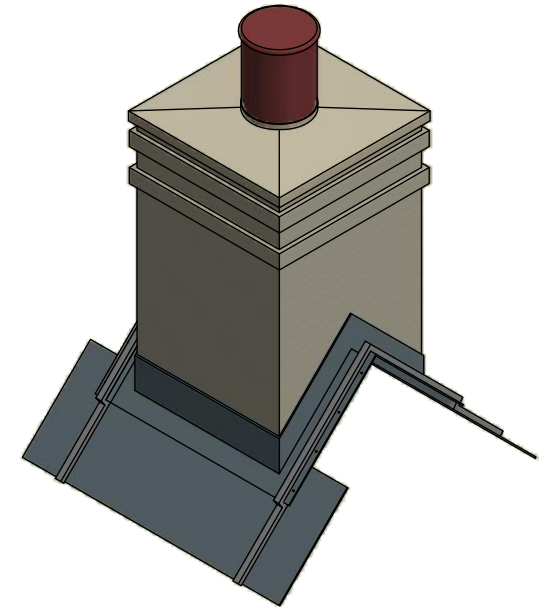
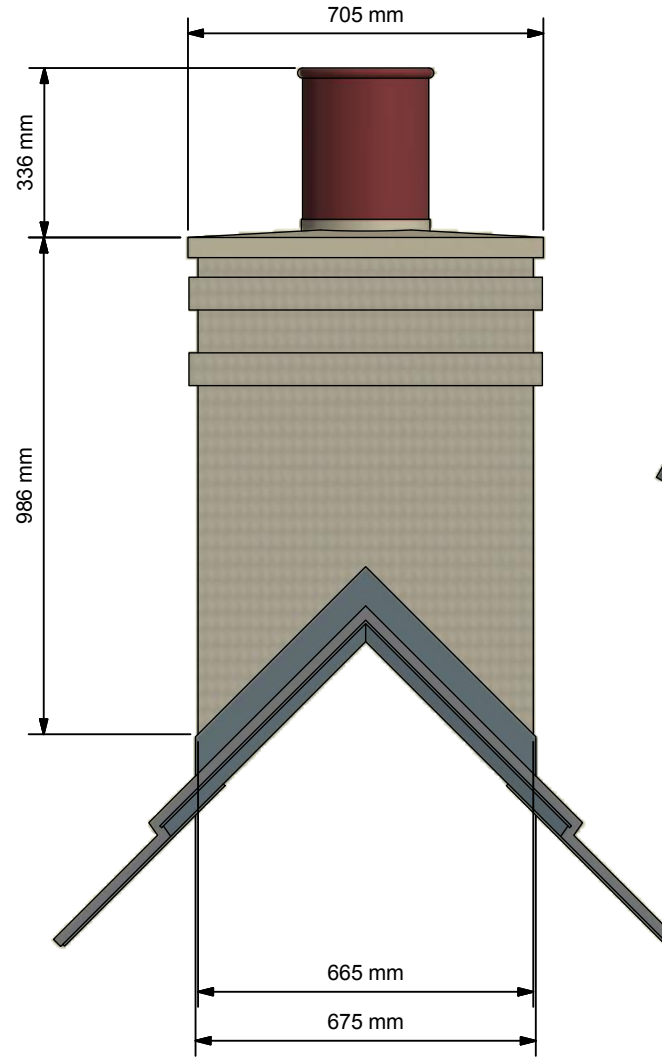
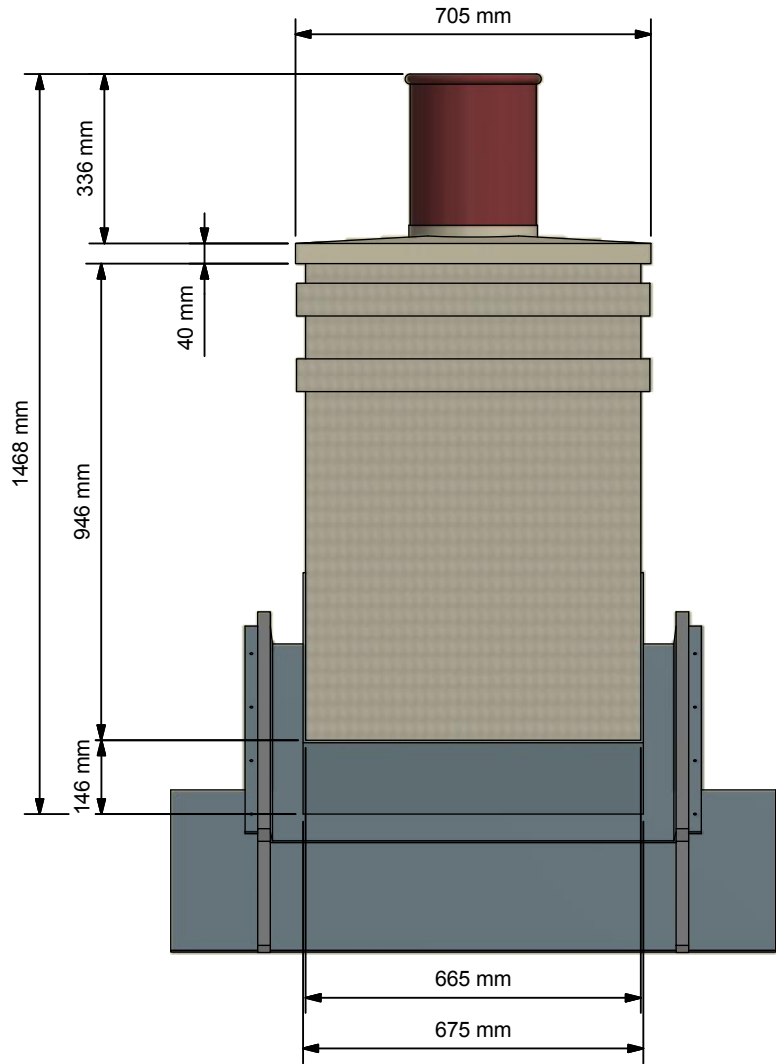


Front Elevation (1 : 15)

Side Elevation (1 : 15)



A.1	1st Production Issue	21/11/2016	Dan P
A	1st Issue	21/11/2016	Dan P
REV	DESCRIPTION	DATE	AUTHOR

REVISION HISTORY

Approved	Date	Drawing Number		
DP	21/11/2016	080784		
Manuf. App	Manuf. App	Sheet	Of	Revision
DP	21/11/2016	1	1	A.1



Amington Point, Sandy Way, Amington Ind. Est,
TAMWORTH, Staffordshire. B77 4ED

Description

665mm x 665mm Smart Stack
Render Effect Chimney.

Designed by	Date
Dan P	21/11/2016
Scale	Checked
	GP

Manufacture Notes
1. 080784 Body.
2. 080708 Plinth.
3. 080708 Pot.
4. 080708 Flaunching.