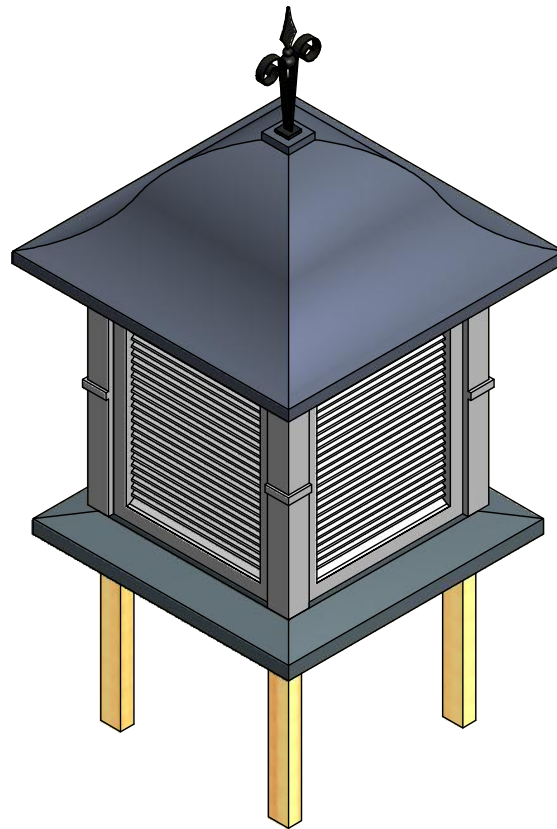
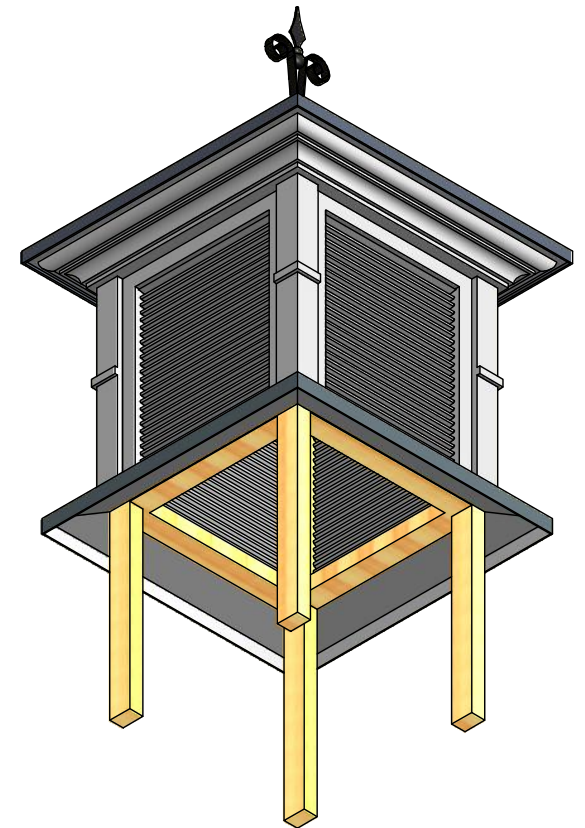


Typical Elevation (1 : 15)



Auxiliary View



Auxiliary View

A.1	1st Vault Production Issue	22/07/2015	P O
A	1st vault Issue	22/07/2015	P O
REV	DESCRIPTION	DATE	AUTHOR

REVISION HISTORY

Approved	Date	Drawing Number		
PO	22/07/2015	091145		
Manuf. App	Manuf. App	Sheet	Of	Revision
PO	22/07/2015	1	1	A.1



Amington Point, Sandy Way, Amington Ind. Est,
TAMWORTH, Staffordshire, B77 4ED

Description
Durham Roof Tower
Bell Shaped Roof - Dummy
Louvers

Designed by	Date	Manufacture Notes
P O	22/07/2015	
Scale	Checked	
	RS	