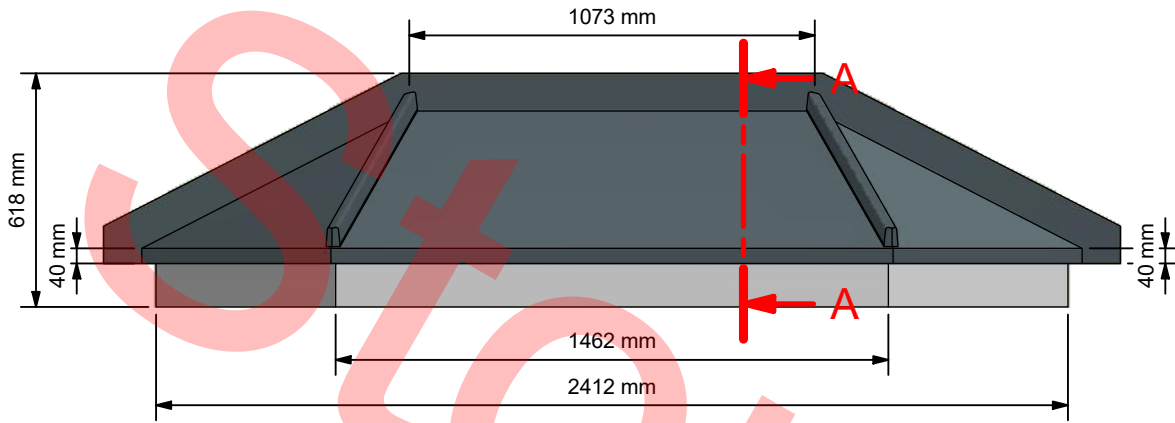
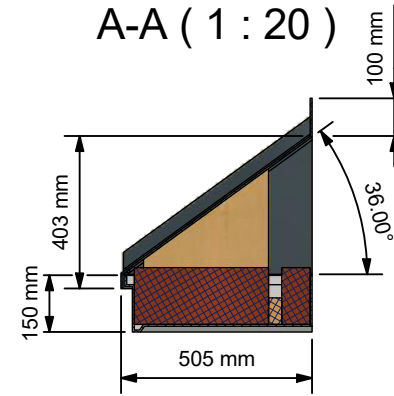


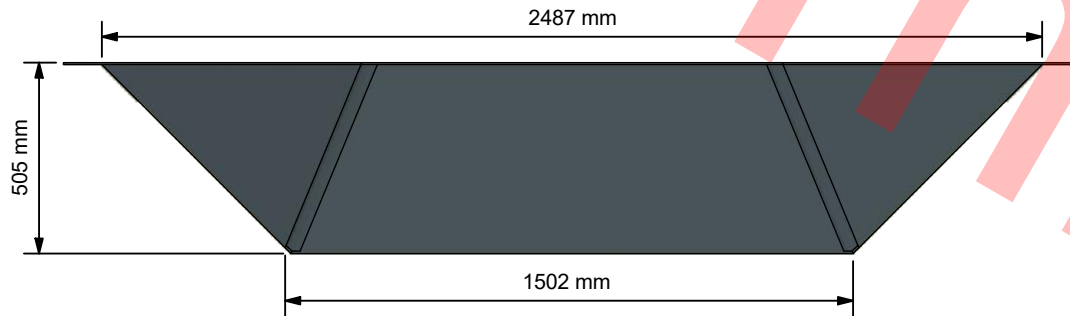
Front Elevation (1 : 20)



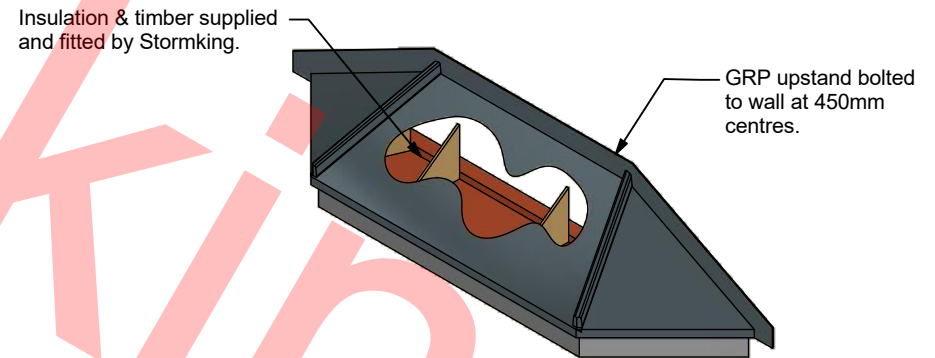
A-A (1 : 20)



Reflected Plan View (1 : 20)



Auxiliary View (1:30)



A	1st Issue	08/10/2019	kevinjoha
REV	DESCRIPTION	DATE	AUTHOR
REVISION HISTORY			
Approved	Date	Drawing Number	2542
Manuf. App	Manuf. App	Sheet	Of
		1	1
			Revision
			A



Amington Point, Sandy Way, Amington Ind. Est,
TAMWORTH, Staffordshire. B77 4ED

Description
Pitched Lead Effect Splay Bay

Designed by	Date	Manufacture Notes 1. New
Kevin Johal	02/10/2019	
Scale	Checked	
	DP	