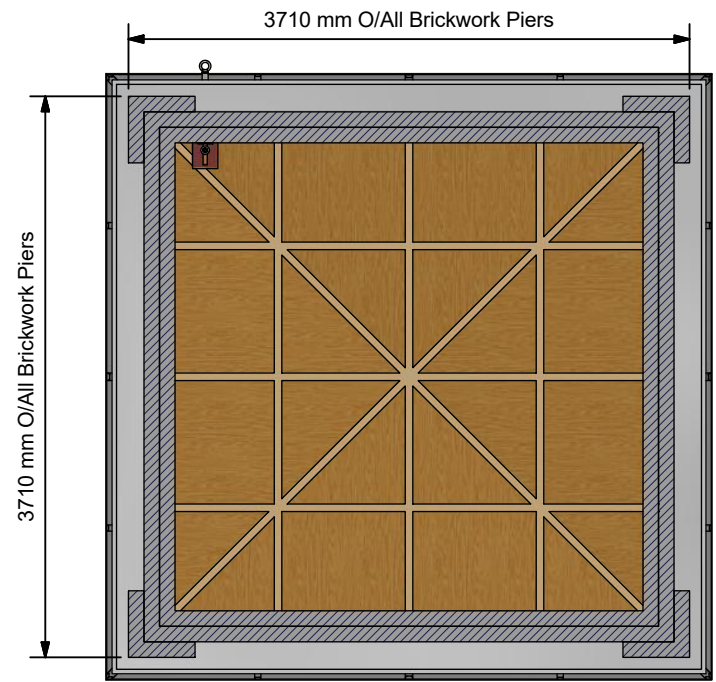
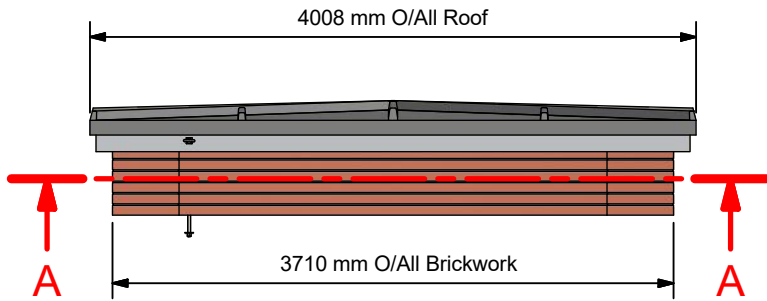


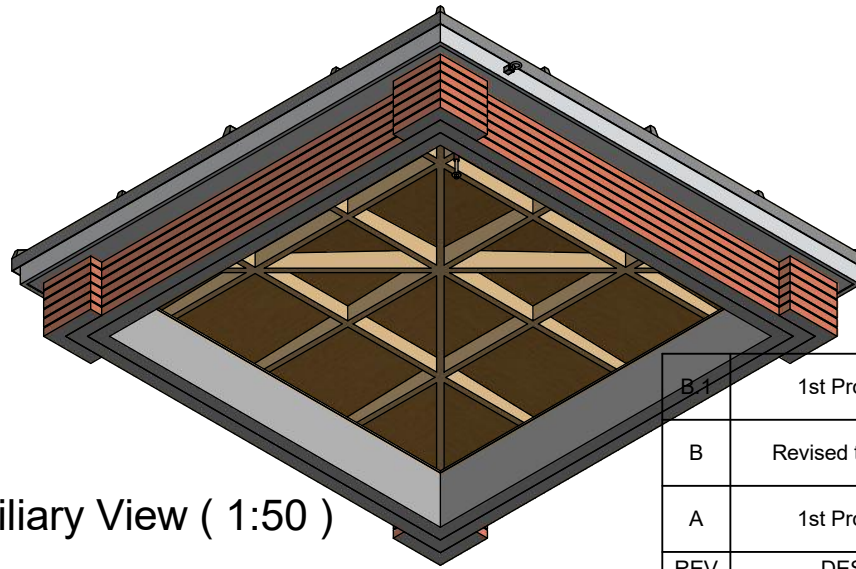
Plan View ( 1:50 )



A-A ( 1:50 )



Front Elevation ( 1:50 )



Auxiliary View ( 1:50 )

REV	DESCRIPTION	DATE	AUTHOR
B.1	1st Production Issue	26/06/2018	richardsu tton
B	Revised to suit comments	25/06/2018	richardsu tton
A	1st Production Issue	15/06/2018	richardsu tton

REVISION HISTORY

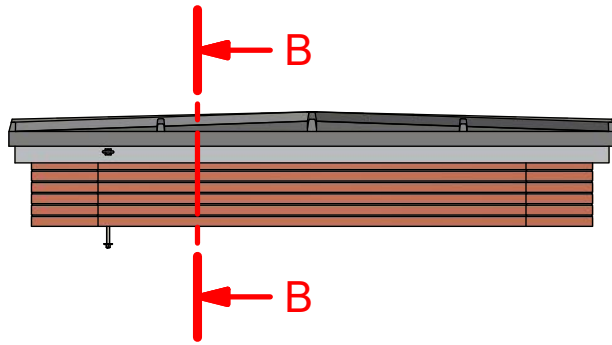
Approved	Date	Drawing Number	Revision		
GP	26/06/2018	1806036	Of	2	B.1
Manuf. App	Manuf. App	Sheet	Of	Revision	
GP	GP	1	2	B.1	



Amington Point, Sandy Way, Amington Ind. Est,  
TAMWORTH, Staffordshire, B77 4ED

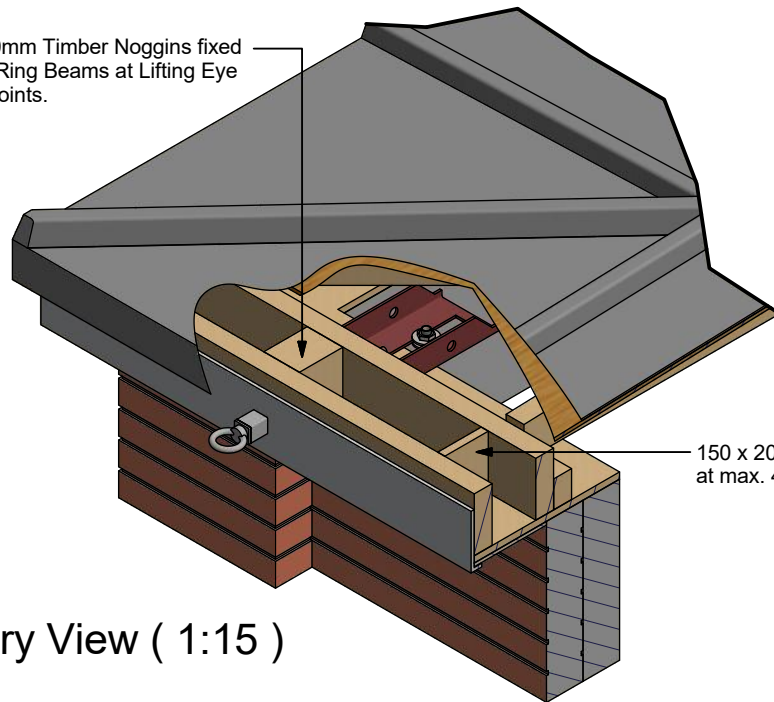
Description  
4008 x 4008mm  
GRP Lead Effect Substation Roof

Designed by	Date	Manufacture Notes
Richard	08/05/2018	1. Fabrication
Scale	Checked	
	WC	



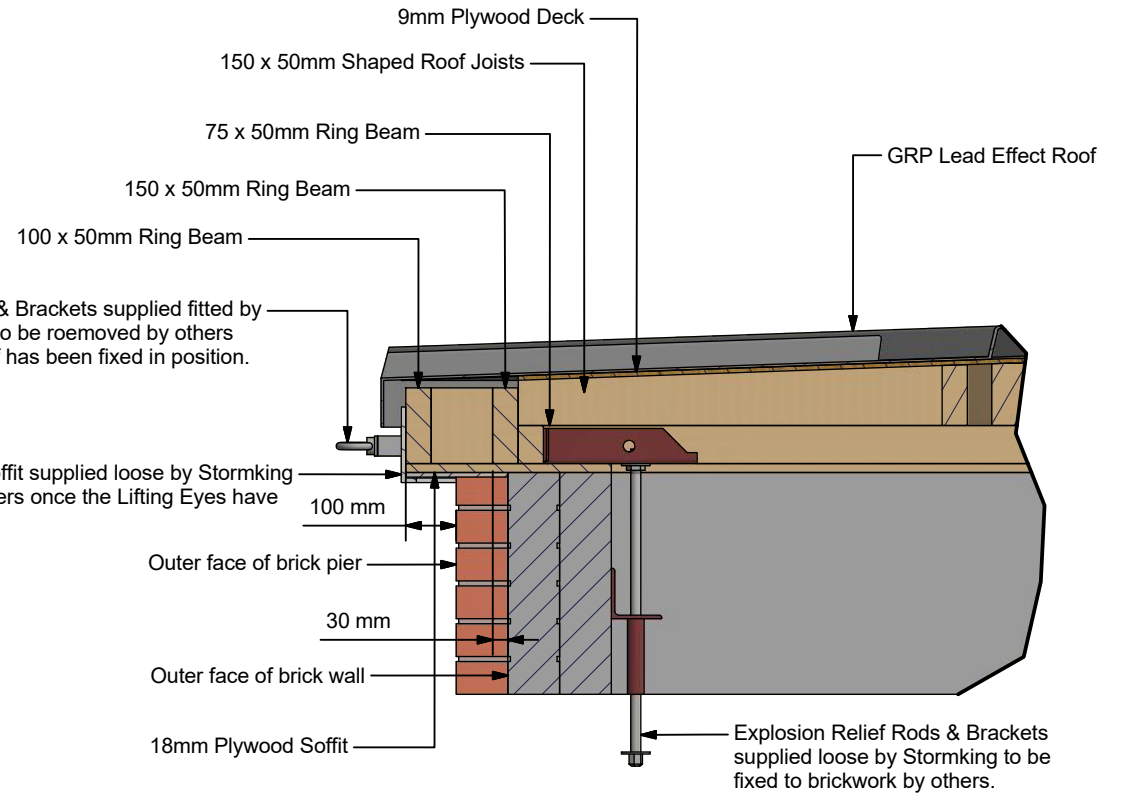
Front Elevation ( 1:50 )

100 x 150mm Timber Noggins fixed between Ring Beams at Lifting Eye Bracket points.



Auxiliary View ( 1:15 )

150 x 20mm Fixed to both soffit and rails at max. 450mm centres.



Auxiliary Section B-B ( 1:15 )



Amington Point, Sandy Way, Amington Ind. Est,  
TAMWORTH, Staffordshire. B77 4ED

Description  
4008 x 4008mm  
GRP Lead Effect Substation Roof

Designed by  
Richard  
Scale

Date  
08/05/2018  
Checked  
WC

Manufacture Notes  
1. Fabrication

Approved  
GP  
Manuf. App  
GP

Date  
26/06/2018  
Manuf. App  
26/06/2018

Drawing Number	1806036		
Sheet	Of	Revision	
2	2	B.1	