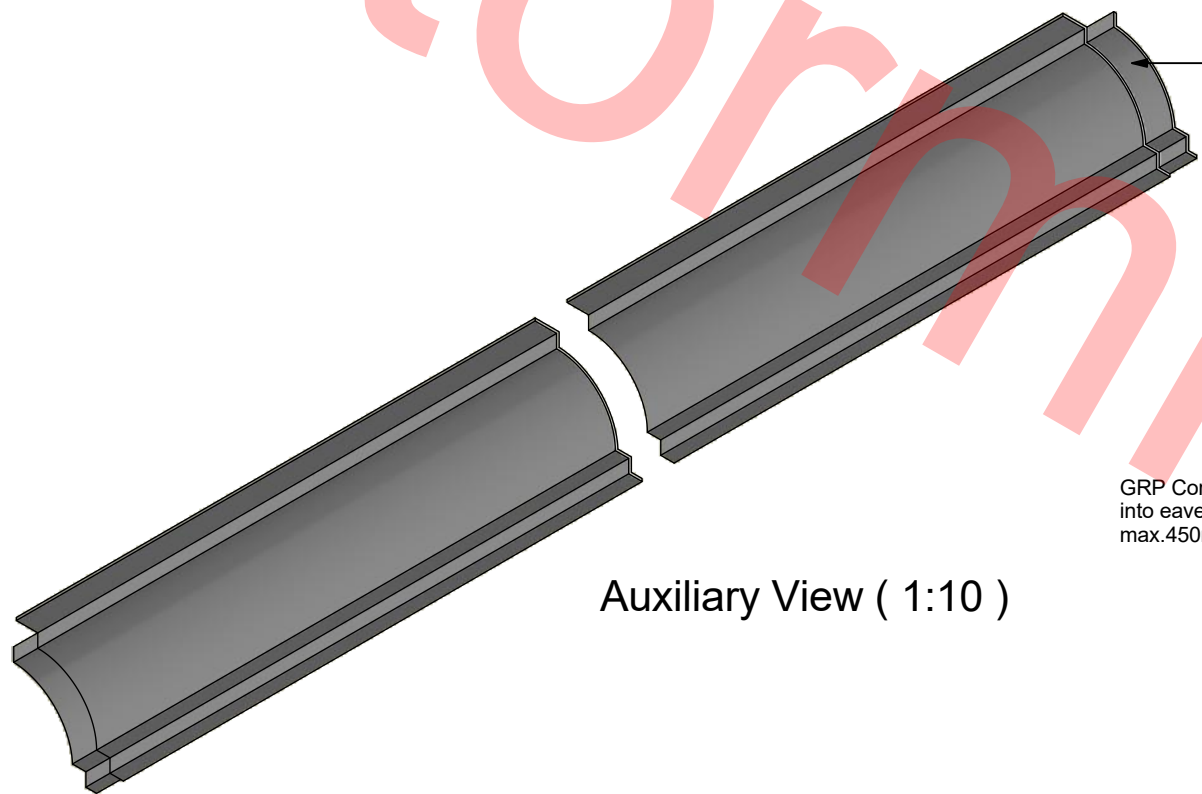


Front Elevation (1:10)

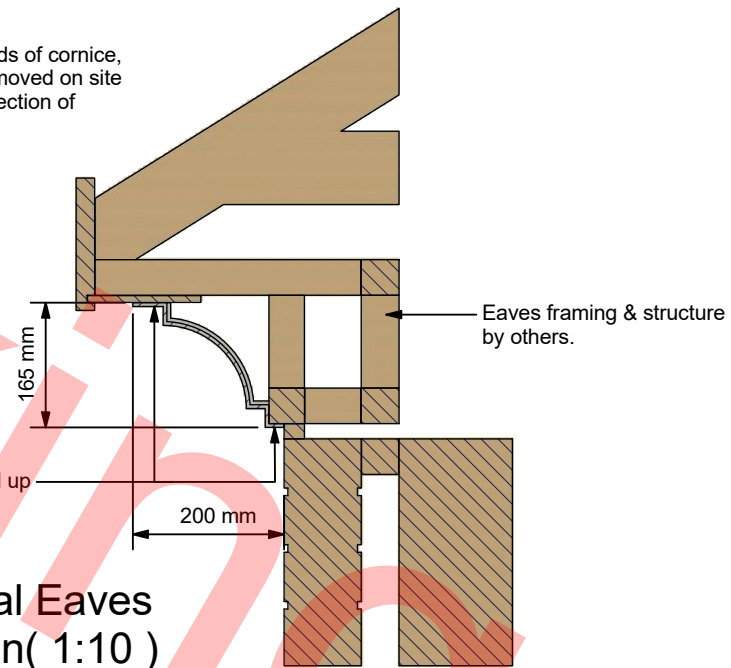
Side Elevation (1:10)



Auxiliary View (1:10)

Spigot to both ends of cornice, one end to be removed on site dependent on direction of fitting.

GRP Cornice to be face fixed up into eaves framework at max.450mm centres



Typical Eaves Section(1:10)

Eaves framing & structure by others.

A.1	1st Production Issue	19/12/2019	P O
A	1st Issue	12/12/2019	P O
REV	DESCRIPTION	DATE	AUTHOR

REVISION HISTORY



Description
**3000 x 200 x 165mm
 Decorative GRP Smooth Plain Cornice**

Designed by
 Richard
 Scale

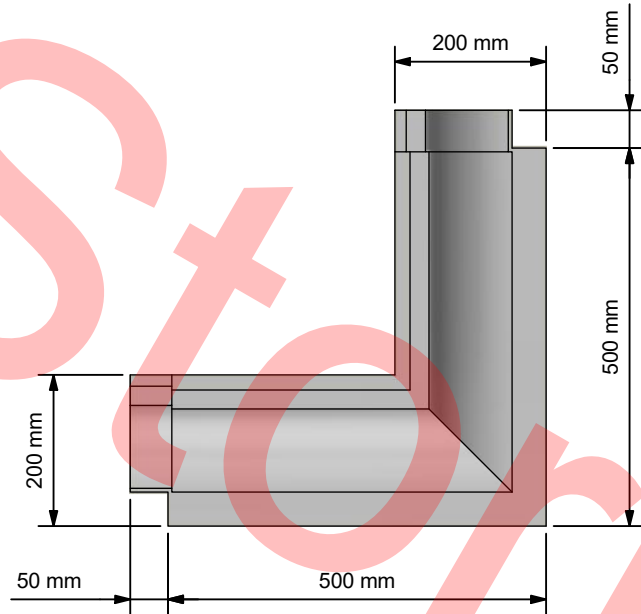
Date
 12/12/2019
 Checked
 DP

Manufacture Notes
 1. New

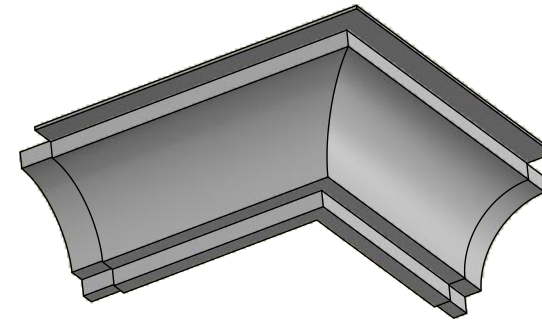
Approved
 RS
 Manuf. App
 GP

Date
 18/12/2019
 Manuf. App
 19/12/2019

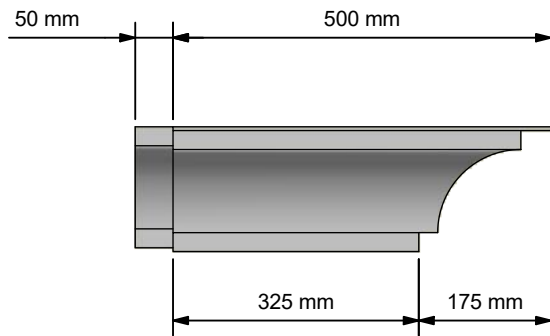
Drawing Number
1912018
 Sheet
1
 Of
3
 Revision
A.1



Plan View (1:10)



Auxiliary View (1:10)



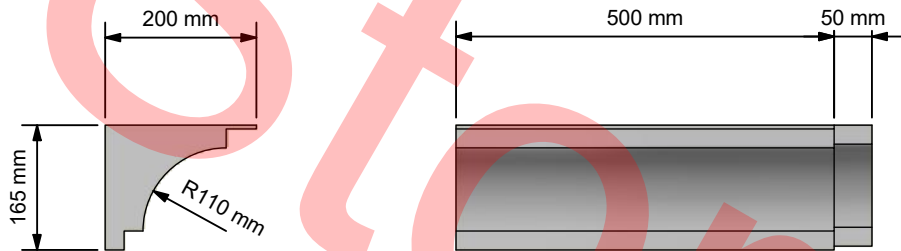
Typical Elevation (1:10)



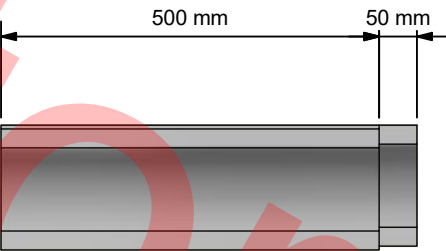
Amington Point, Sandy Way, Amington Ind. Est,
TAMWORTH, Staffordshire. B77 4ED

Description
3000 x 200 x 165mm
Decorative GRP Smooth Plain Cornice
(500 x 500mm External Angle)

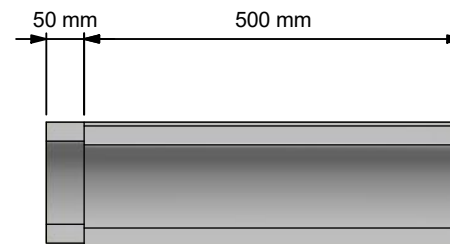
Designed by	Date	Manufacture Notes	Approved	Date	Drawing Number	1912018		
Richard	12/12/2019		RS	18/12/2019		Sheet	Of	Revision
Scale	Checked	1. New	Manuf. App	Manuf. App	2	3	A.1	
	DP		GP	19/12/2019				



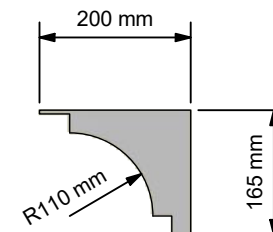
Side Elevation (1:10)



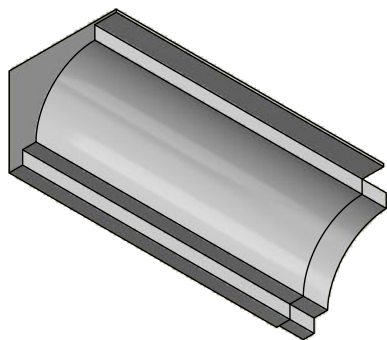
Front Elevation (1:10)



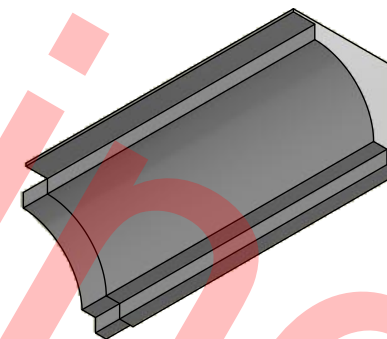
Front Elevation (1:10)



Side Elevation (1:10)



Auxiliary View L/H Stop End (1:10)



Auxiliary View R/H Stop End (1:10)



Amington Point, Sandy Way, Amington Ind. Est,
TAMWORTH, Staffordshire. B77 4ED

Description
3000 x 200 x 165mm
Decorative GRP Smooth Plain Cornice
(500mm RH & LH Stop Ends)

Designed by
Richard
Scale

Date
12/12/2019
Checked
DP

Manufacture Notes
1. New

Approved
RS
Manuf. App
GP

Date
18/12/2019
Manuf. App
19/12/2019

Drawing Number	1912018		
Sheet	Of	Revision	
3	3	A.1	