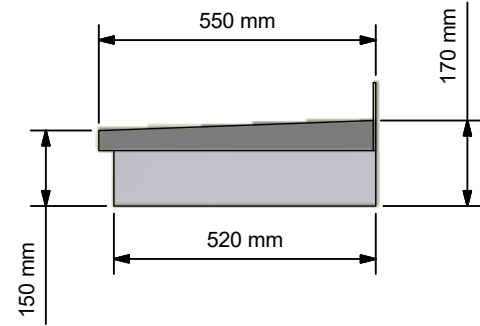
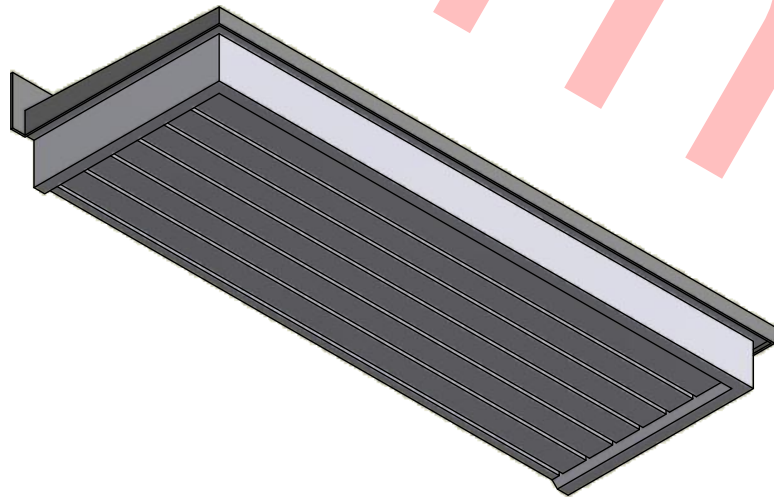


Front Elevation (1 : 15)



Side Elevation



Assembly Sheet 5

A.3	No Amendments	11/07/2019	danpriest
A.2	Manufacture Note Change	10/12/2018	danpriest
A.1	1st Production Issue	03/07/2013	danpriest
A	1st Issue	03/07/2013	danpriest
REV	DESCRIPTION	DATE	AUTHOR

REVISION HISTORY



Description
1500 x 520mm Flat Contemporary Canopy

Designed by
 danpriest

Scale
 GP

Date
 03/07/2013

Checked
 GP

Manufacture Notes
 1. NEW

Approved
 DP

Manuf. App
 PO

Date
 03/07/2013

Manuf. App
 11/07/2019

Drawing Number
080455

Sheet
1

Of
1

Revision
A.3