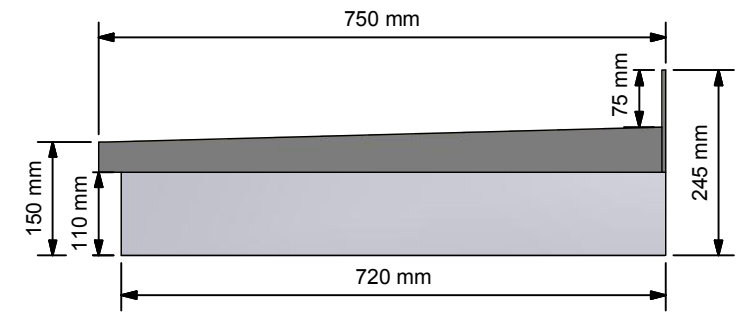
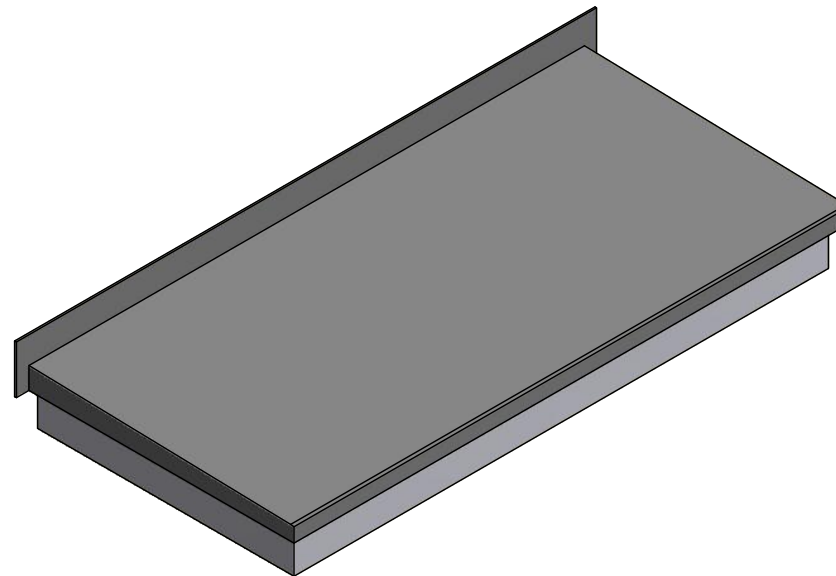


Front Elevation (1 : 10)




Side Elevation



A.1	1st Production Issue	03/07/2013	danpriest
A	1st Issue	03/07/2013	danpriest
REV	DESCRIPTION	DATE	AUTHOR

REVISION HISTORY

 The Shape of GFR Technology Amington Point, Sandy Way, Amington Ind. Est, TAMWORTH, Staffordshire. B77 4ED	Description 1500 x 720mm Flat Contemporary Canopy	Designed by	Date	Manufacture Notes 1. New	Approved	Date	Drawing Number 080451			
		danpriest	03/07/2013		DP	03/07/2013				
		Scale	Checked		Manuf. App	Manuf. App	Sheet	Of	Revision	
	GP	DP	03/07/2013	1	1	A.1				