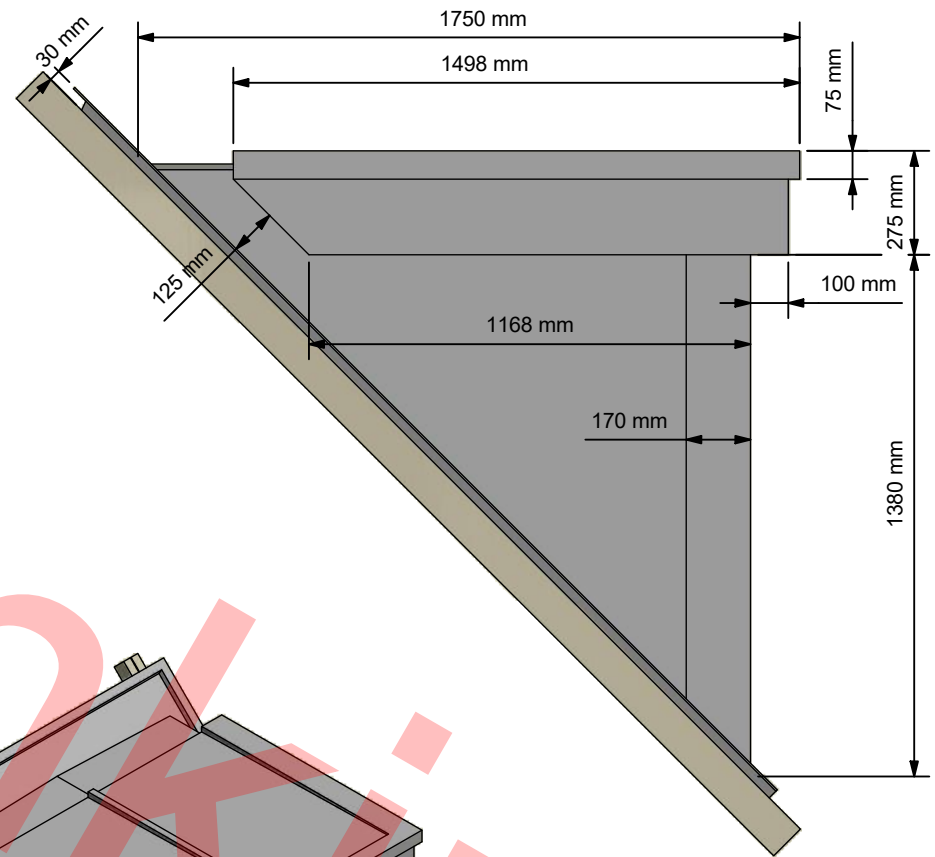
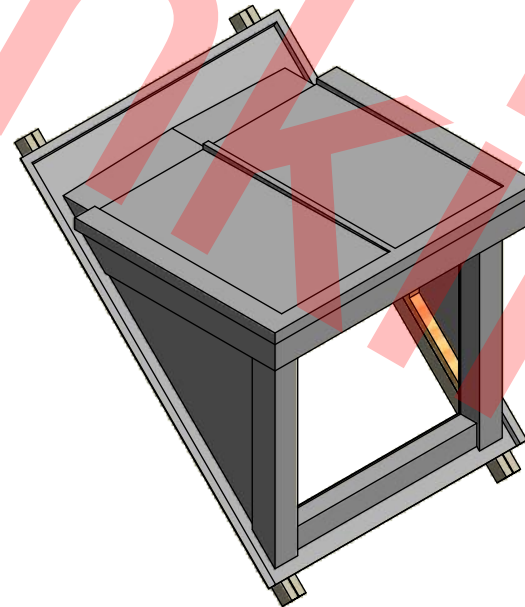


Front Elevation (1 : 20)



Side Elevation (1 : 20)



B.5	Updated To 2020	23/09/2019	PO
B.4	Fascia Amended For Patt	28/03/2019	PO
B.3	Fascia Increased. Roll Added	17/02/2015	PO
B.2	re-design for new mould	23/07/2013	PO
B.1	1st Vault Production Issue	23/07/2013	PO
B	Added Rafter Dimension 13.09.12	23/07/2013	PO
A	Changed to 3D Model 04.12.12	23/07/2013	PO
REV	DESCRIPTION	DATE	AUTHOR

REVISION HISTORY



Description
Dormer FT45 - 1350, 12

Designed by	Date	Manufacture Notes 1. New
PO	23/07/2013	
Scale	Checked	
	RS	

Approved	Date	Drawing Number		
PO	23/07/2013	9019		
Manuf. App	Manuf. App	Sheet	Of	Revision
PO	23/09/2019	1	1	B.5