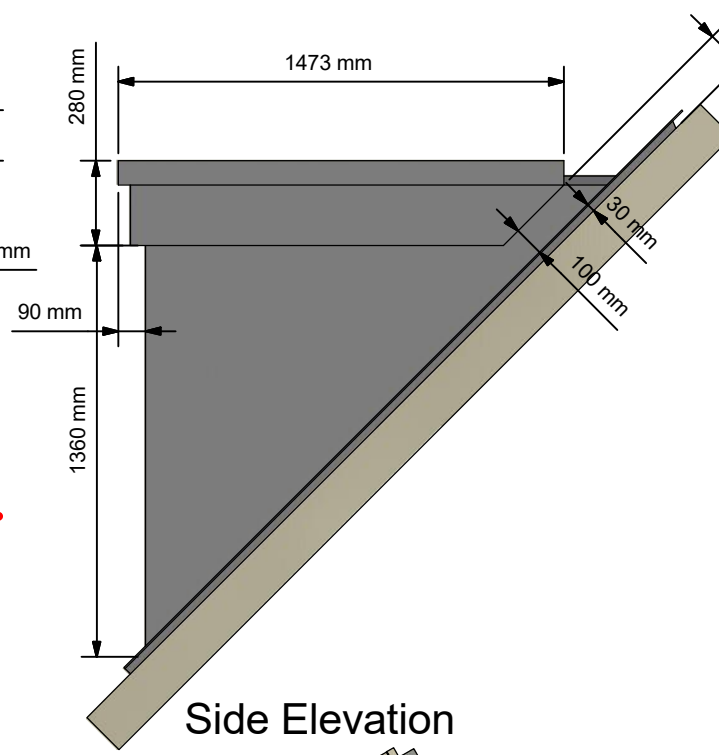
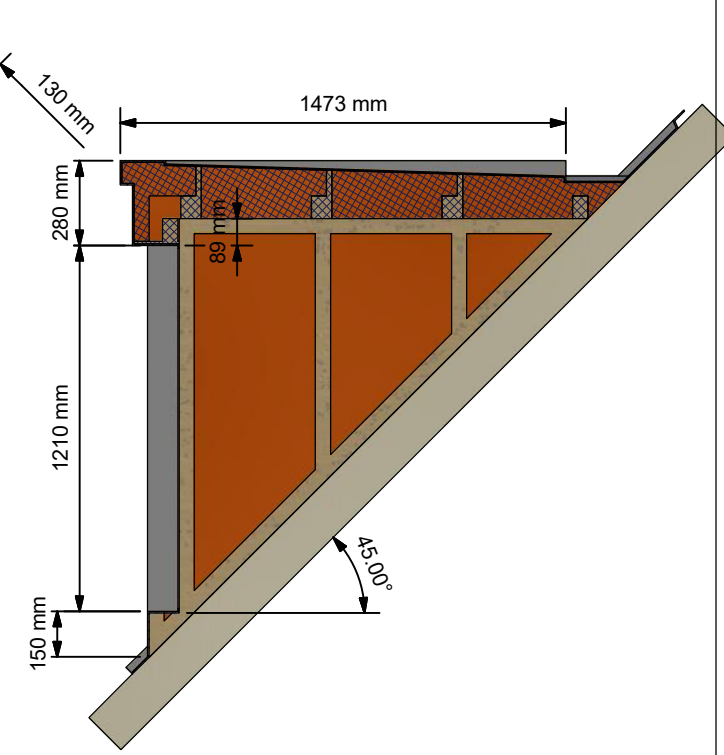


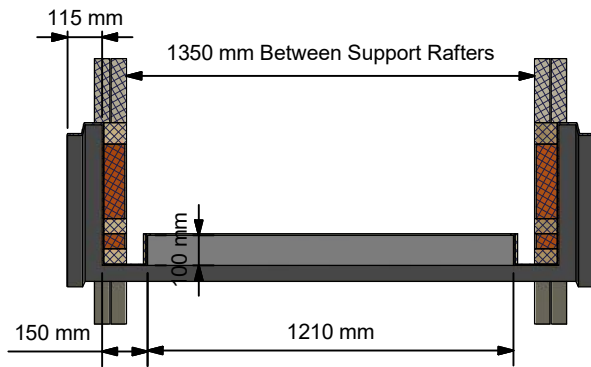
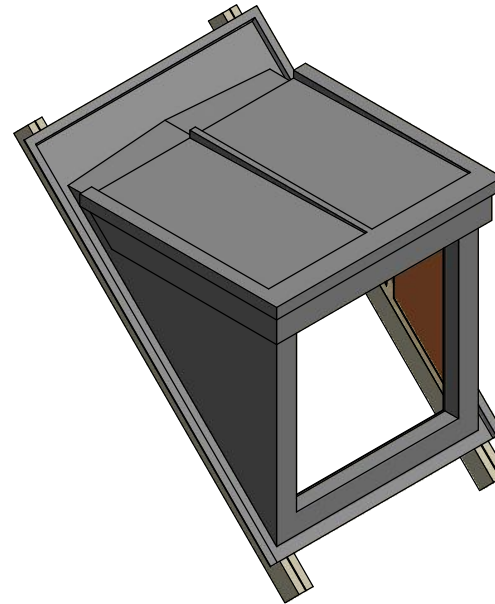
Front Elevation ( 1 : 25 )



Side Elevation



A-A ( 1 : 25 )



B-B ( 1 : 25 )

B.3	Sections Added	07/09/2018	danpriest
B.2	Fascia Profile Amended For New Tool	17/02/2015	danpriest
B.1	1st Production Issue	13/01/2014	danpriest
B	Correct Window Opening Size Shown	13/01/2014	danpriest
A	Redrawn	13/01/2014	danpriest
REV	DESCRIPTION	DATE	AUTHOR

REVISION HISTORY



Description  
**Dormer FT45 - 12,12**

Designed by	Date	Manufacture Notes 1. As Built
danpriest	13/01/2014	
Scale	Checked	
	GP	

Approved	Date	Drawing Number		
DP	13/01/2014	3383		
Manuf. App	Manuf. App	Sheet	Of	Revision
PO	07/09/2018	1	1	B.3