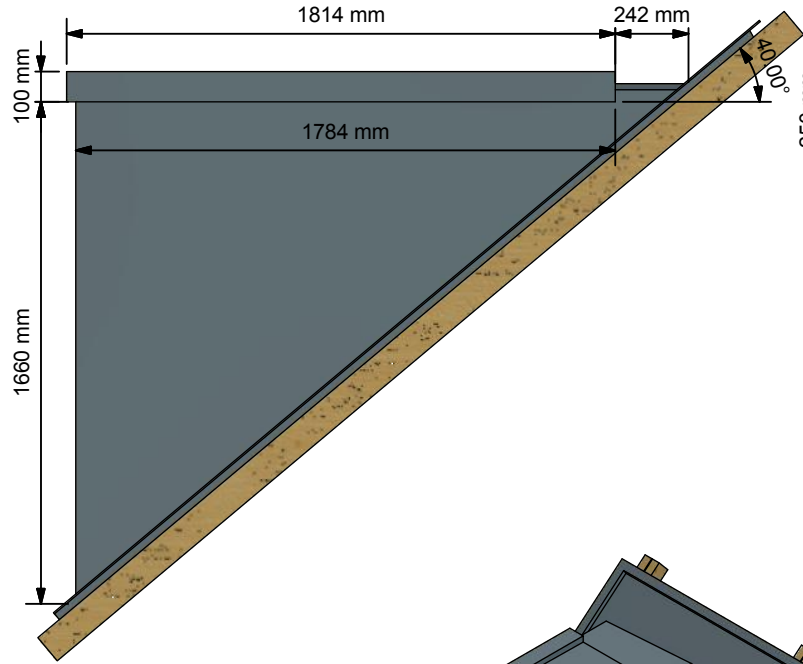
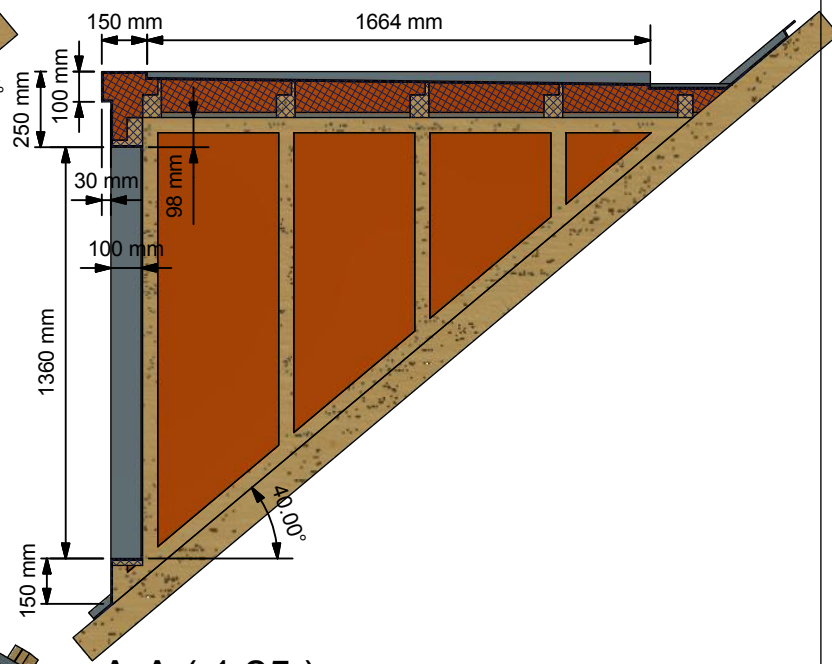


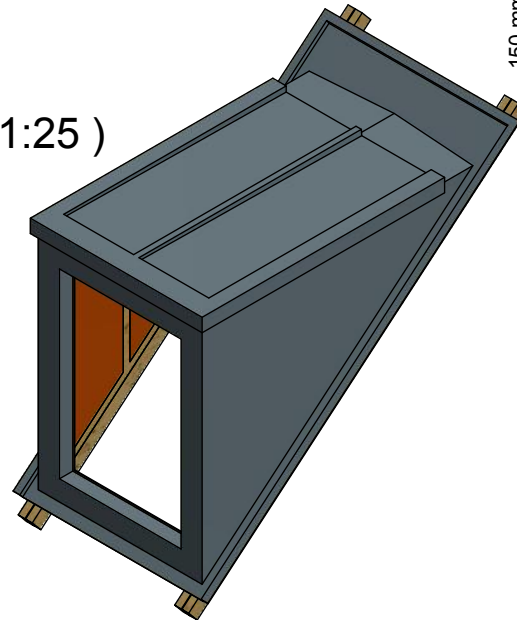
Front Elevation (1:25)



Side View (1:25)



A-A (1:25)



Auxiliary View (1:40)

A.1			
A	1st Issue	18/11/2016	P O
REV	DESCRIPTION	DATE	AUTHOR

REVISION HISTORY

Approved	Date	Drawing Number	1611036	
GP	01/12/2016	Sheet	Of	Revision
Manuf. App	Manuf. App	1	1	A.1
	30/12/1899			



Amington Point, Sandy Way, Amington Ind. Est,
TAMWORTH, Staffordshire. B77 4ED

Description
Dormer FT40 - 09,1350

Designed by	Date	Manufacture Notes 1. New
P O	15/11/2016	
Scale	Checked	
	RS	