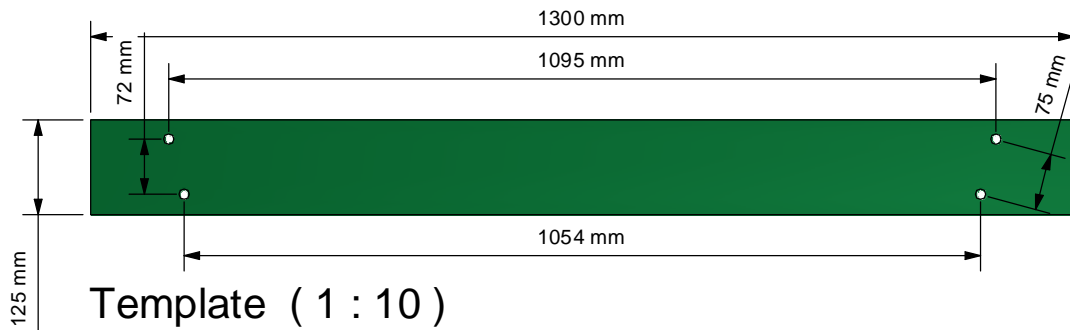


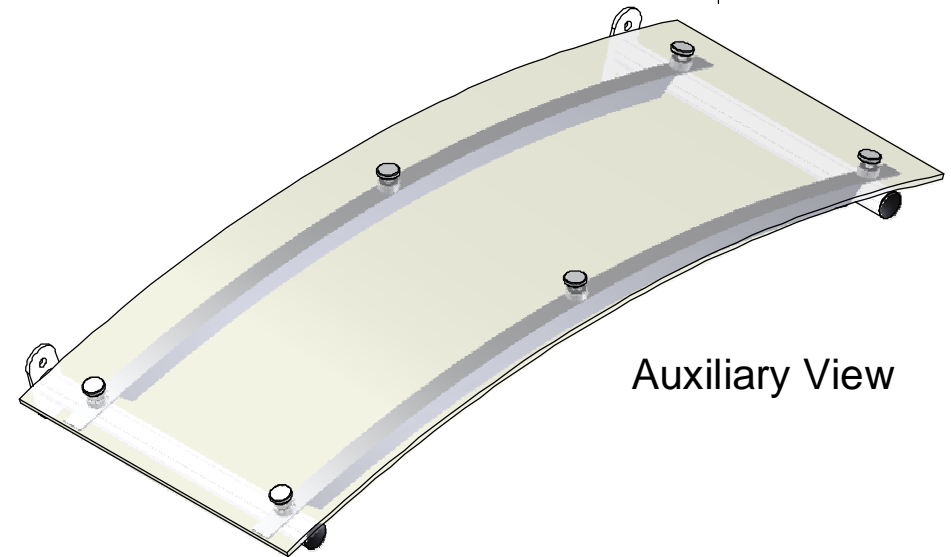
Front Elevation (1 : 5)



A (1 : 5)



Template (1 : 10)



Auxiliary View

A.1	1st Production Issue	14/01/2014	danpriest
A	1st Issue	14/01/2014	danpriest
REV	DESCRIPTION	DATE	AUTHOR

REVISION HISTORY

Approved	Date	Drawing Number		
DP	14/01/2014	070580		
Manuf. App	Manuf. App	Sheet	Of	Revision
DP	14/01/2014	1	1	A.1



Description
ClearLight Range

Designed by
danpriest
Scale

Date
14/01/2014
Checked
RS

Manufacture Notes