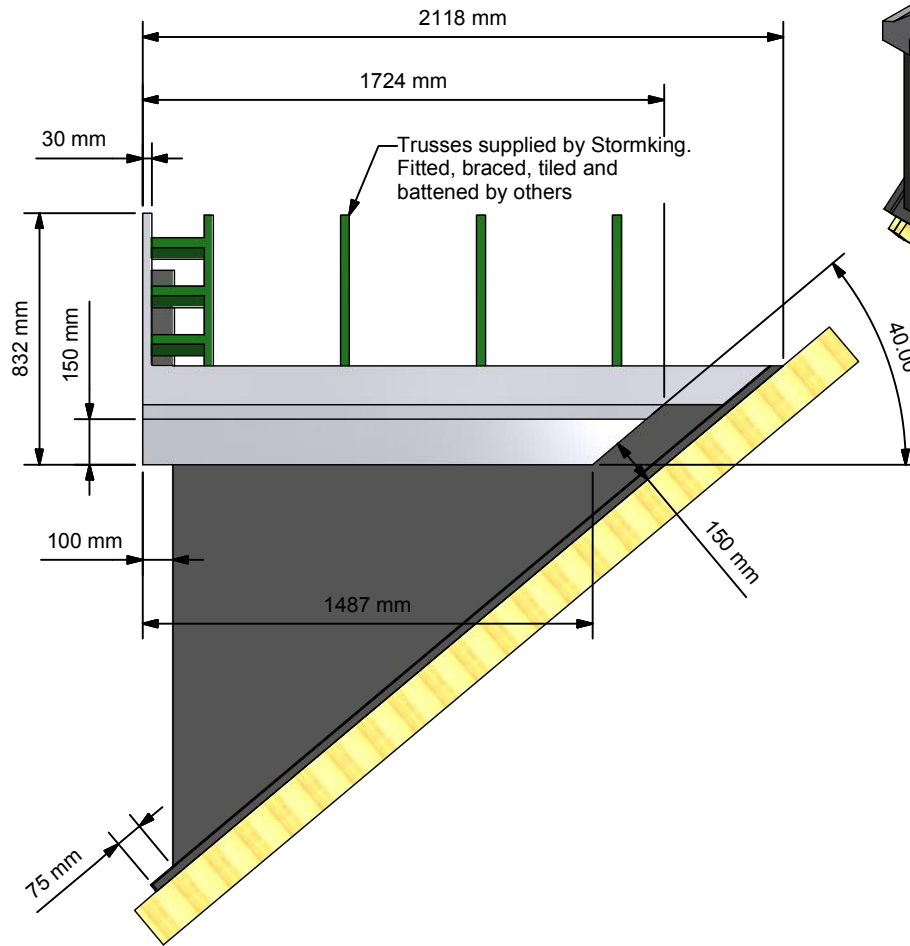
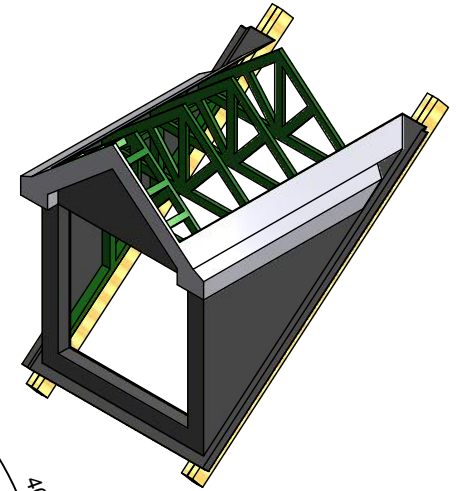


Front Elevation (1 : 25)



Side Elevation (1 : 25)



REV	DESCRIPTION	DATE	AUTHOR
-			
REVISION HISTORY			
Approved	Date	Drawing Number	040327
DP	10/01/2014		
Manuf. App	Manuf. App	Sheet	Of
DP	10/01/2014	1	1
			Revision
			A.1



Description
Dormer PT40-12,12 Plain

Designed by	Date	Manufacture Notes 1. 9729 no tile panel
Richard	01/08/2013	
Scale	Checked	
	RS	