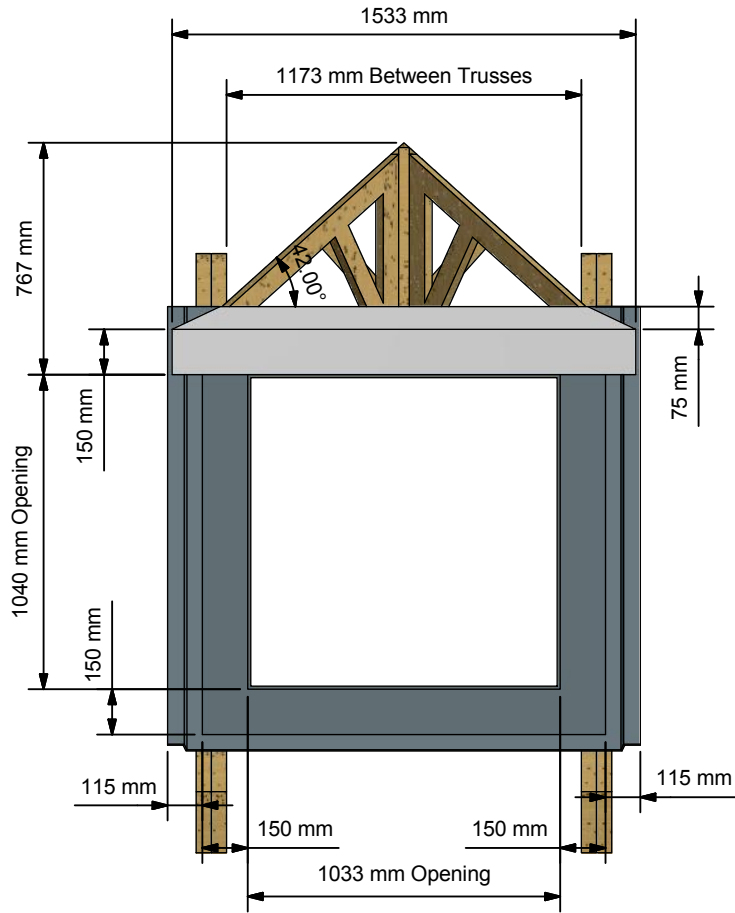
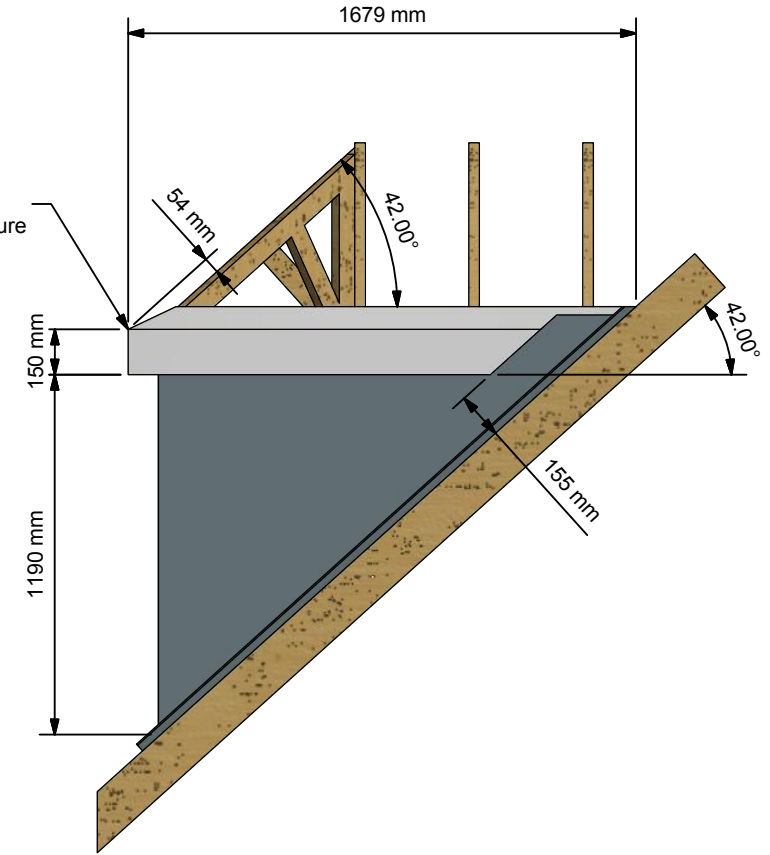


### Front Elevation ( 1 : 25 )

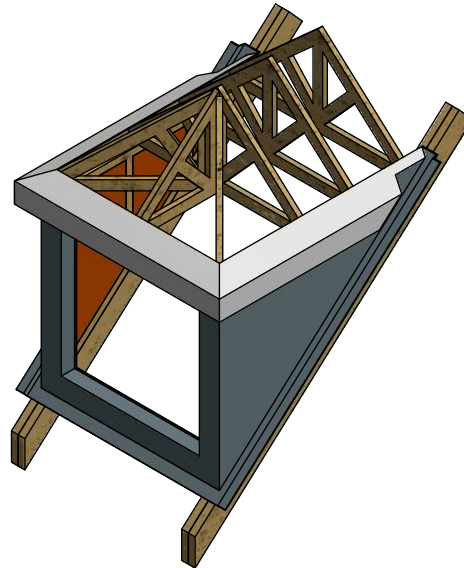


### Side Elevation ( 1 : 25 )



Customer is using their own fascia on top of our own, Stormking to ensure that there is 18mm plywood running the perimeter of the dormer fascia.

### Auxiliary View ( 1 : 40 )



B.1	1st Production Issue	09/03/2017	Dan P
B	18mm Plywood Added To Inside Of The Fascia	20/02/2017	Dan P
A	1st Issue	02/02/2017	Dan P
REV	DESCRIPTION	DATE	AUTHOR

#### REVISION HISTORY

Approved	Date	Drawing Number		
GP	09/03/2017	1702008		
Manuf. App	Manuf. App	Sheet	Of	Revision
DP	09/03/2017	1	2	B.1

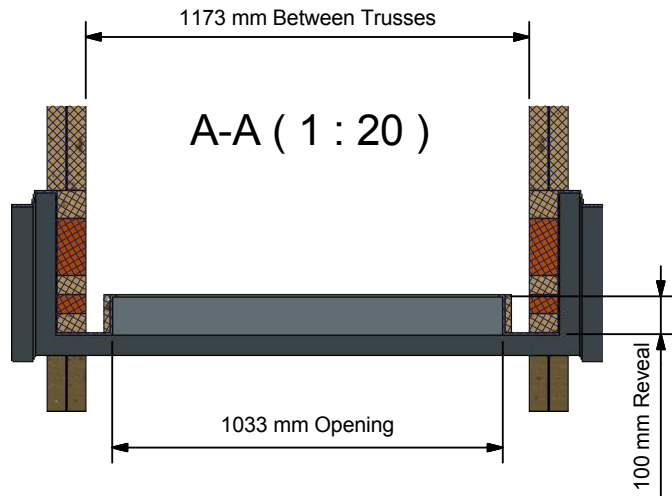
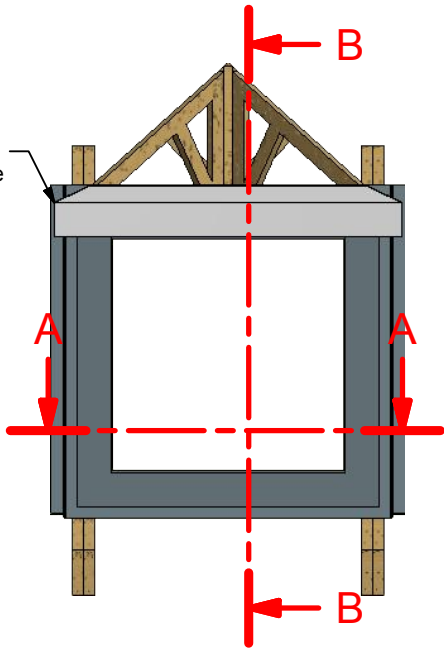


Amington Point, Sandy Way, Amington Ind. Est,  
TAMWORTH, Staffordshire. B77 4ED

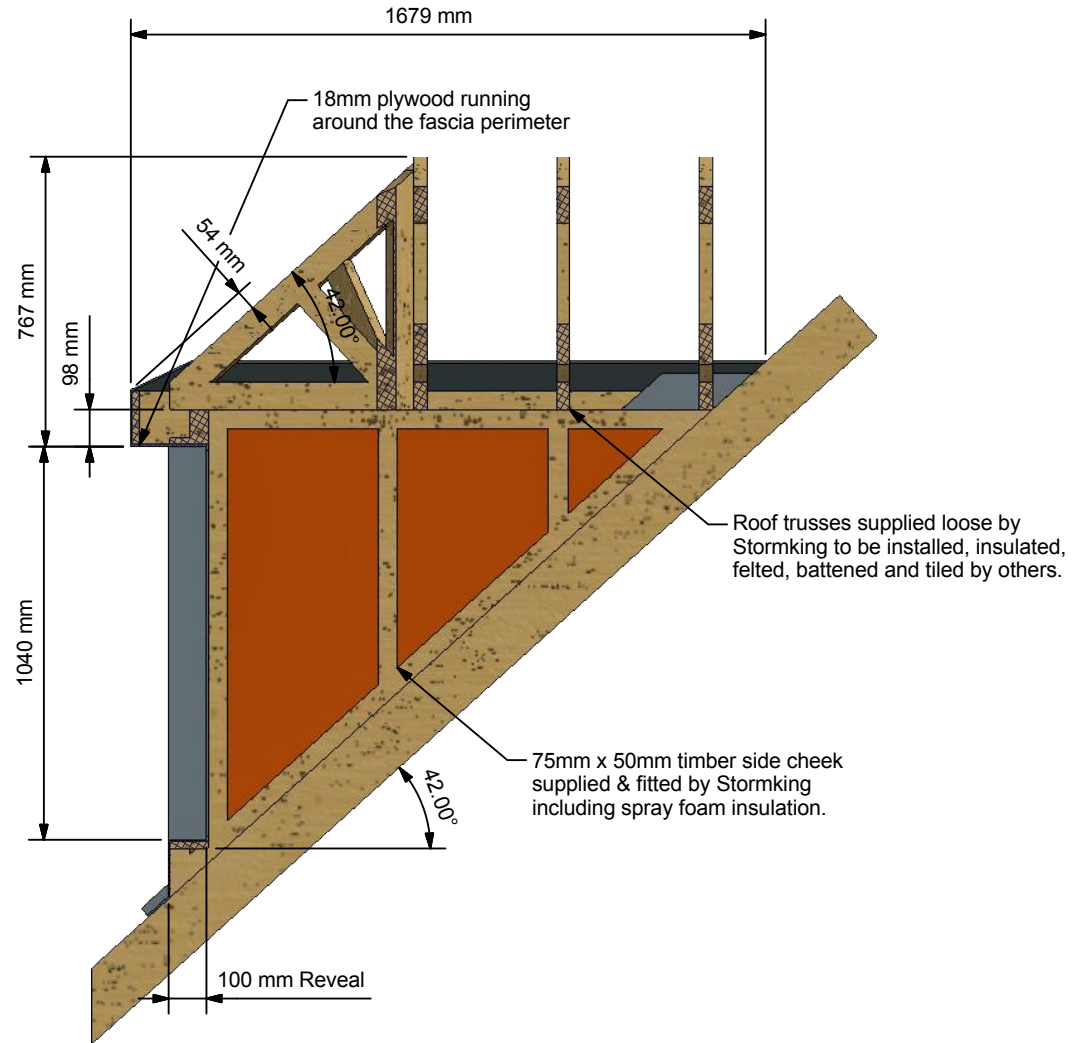
Description  
**GRP Hipped Dormer**  
**HT42 - 1023mm x 1030mm**

Designed by	Date	Manufacture Notes 1. New.
Dan P	02/02/2017	
Scale	Checked	
	PO	

Customer is using their own fascia on top of our own, Stormking to ensure that there is 18mm plywood running the perimeter of the dormer fascia.



B-B ( 1 : 20 )



Amington Point, Sandy Way, Amington Ind. Est,  
TAMWORTH, Staffordshire. B77 4ED

Description  
**GRP Hipped Dormer**  
**HT42 - 1023mm x 1030mm**

Designed by	Date	Manufacture Notes	Approved	Date	Drawing Number		
Dan P	02/02/2017		GP	09/03/2017	1702008		
Scale	Checked	1. New.	Manuf. App	Manuf. App	Sheet	Of	Revision
	PO		DP	09/03/2017	2	2	B.1