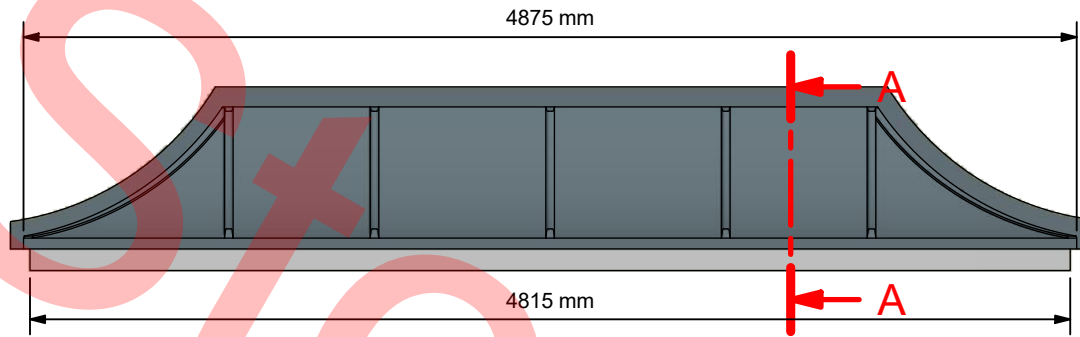
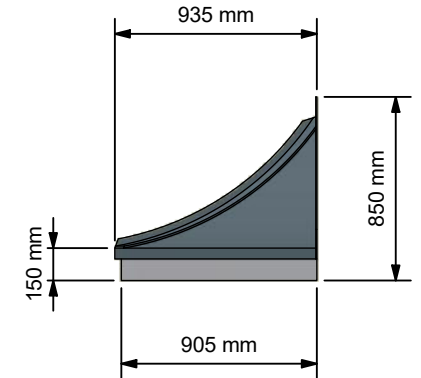


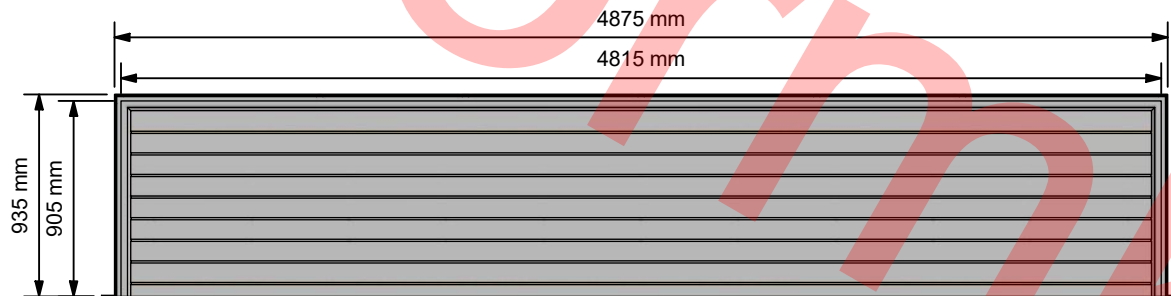
Front Elevation (1 : 35)



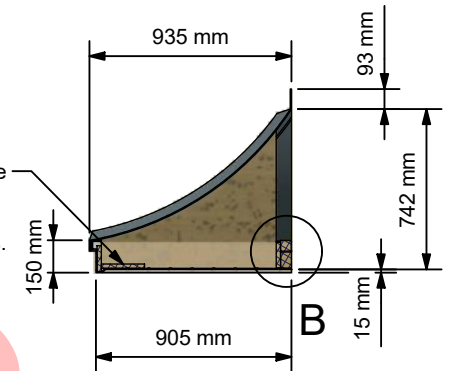
Side Elevation (1 : 35)



Reflected Plan Elevation (View From Beneath) (1 : 35)



A-A (1 : 35)



200mm x 30mm timber rail to be bonded to the full length of the canopy soffit to accept support post fixing from below by others.

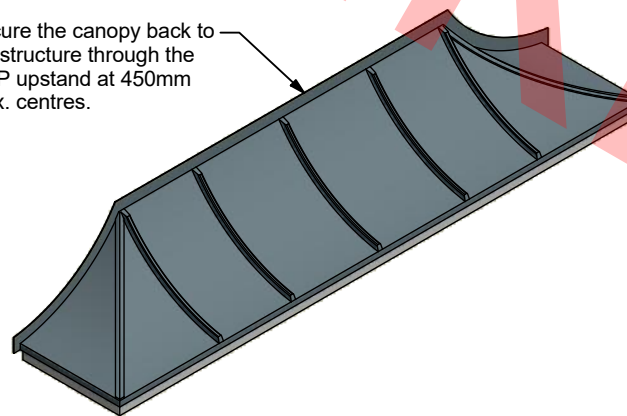
B (1 : 15)



Timber frame including roof support baffles supplied & fitted by Stormking.

75mm x 50mm contractors rail required when used for an entrance canopy, fitted prior to the canopy to allow for soffit fixings from beneath.

Secure the canopy back to the structure through the GRP upstand at 450mm max. centres.



REV	DESCRIPTION	DATE	AUTHOR
A.2	200mm x 20mm Timber Added Back In	22/01/2021	P O
A.1	1st Vault / Production Issue	21/01/2021	P O
A	Length Reduced	21/01/2021	P O

REVISION HISTORY



Amington Point, Sandy Way, Amington Ind. Est, TAMWORTH, Staffordshire, B77 4ED

Description
Curved Lead Effect Door Canopy

Designed by	Date	Manufacture Notes 1. New.
Dan Priest	21/01/2021	
Scale	Checked	
		RS

Approved	Date	Drawing Number		
DP	21/01/2021	8725_1		
Manuf. App	Manuf. App	Sheet	Of	Revision
DP	22/01/2021	1	1	A.2