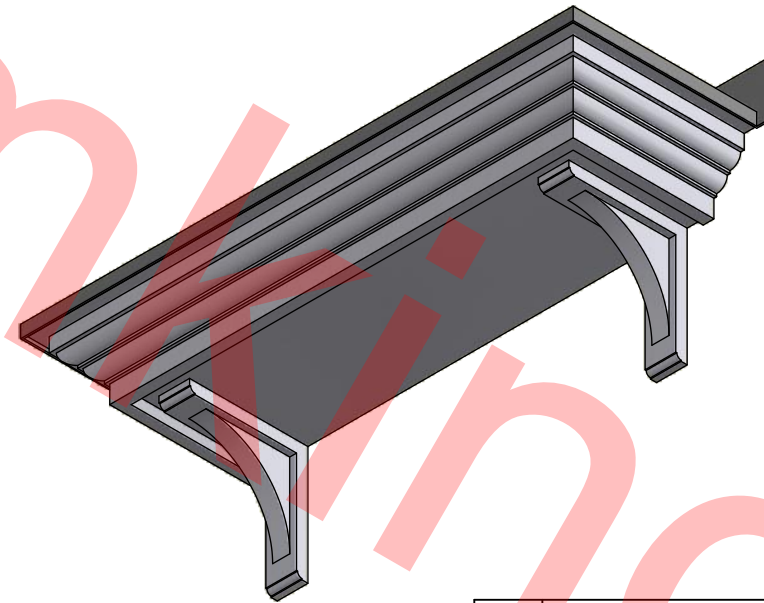
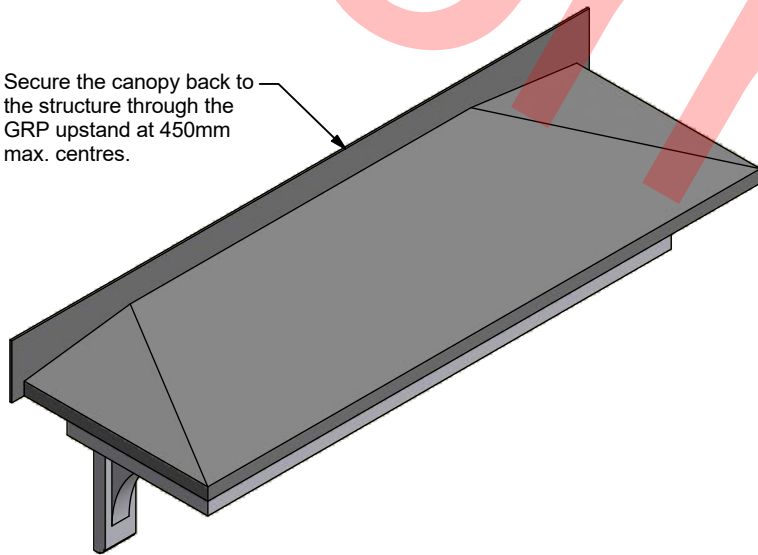


Secure the canopy back to the structure through the GRP upstand at 450mm max. centres.



A.1	1st Production Issue	17/08/2021	Dan Priest
A	Updated To 3D / 1st Vault Issue	17/08/2021	Dan Priest
REV	DESCRIPTION	DATE	AUTHOR

REVISION HISTORY



Amington Point, Sandy Way, Amington Ind. Est,  
TAMWORTH, Staffordshire. B77 4ED

Description  
**1550mm COS Door Canopy**

Designed by	Date	Manufacture Notes 1. 3744-1
Dan Priest	17/08/2021	
Scale	Checked	
	A	

Approved	Date	Drawing Number		
DP	17/08/2021	5102		
Manuf. App	Manuf. App	Sheet	Of	Revision
DP	17/08/2021	1	1	A.1