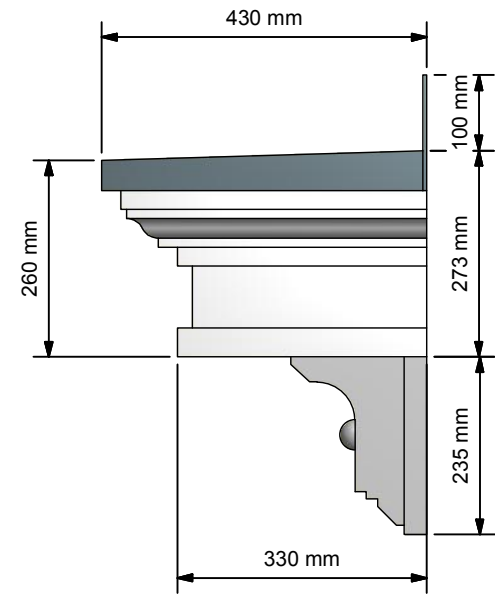
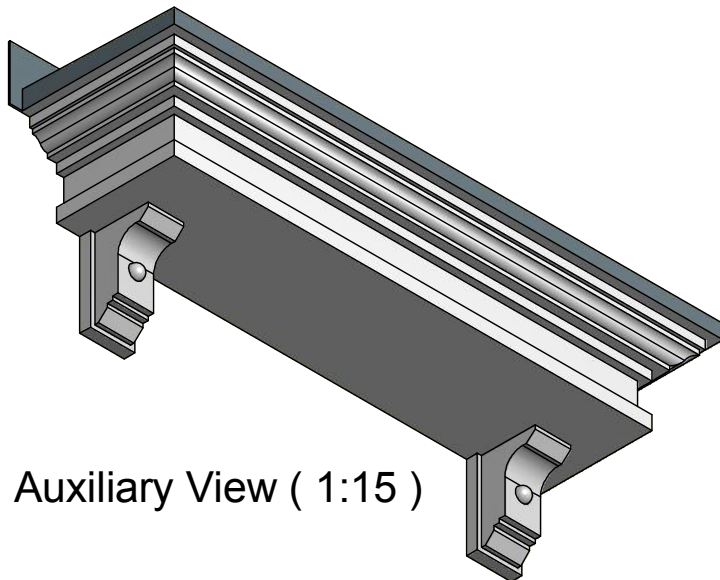


Front Elevation (1:10)



Side Elevation (1:10)



Auxiliary View (1:15)

B.1	1st Production Issue	23/03/2015	P O
B	1st Vault Issue. Changed To Match 3538	23/03/2015	P O
A	Bracket Modified 05.12.03	23/03/2015	P O
REV	DESCRIPTION	DATE	AUTHOR

REVISION HISTORY



Description
1540mm Flat Door Canopy

Designed by
 P O
 Scale
 Checked
 GP

Date
 23/03/2015
 Manufacture Notes
 1. 3538 Door head
 2. 031021 Bracket

Approved PO	Date 23/03/2015	Drawing Number 031021
Manuf. App PO	Manuf. App 23/03/2015	Sheet 1
		Of 1
		Revision B.1