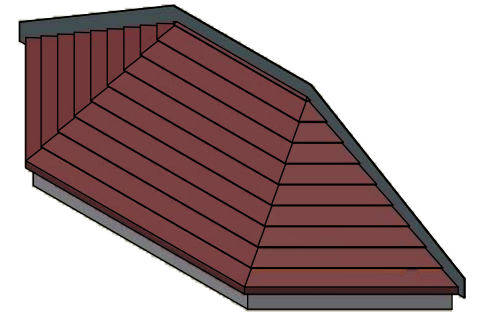
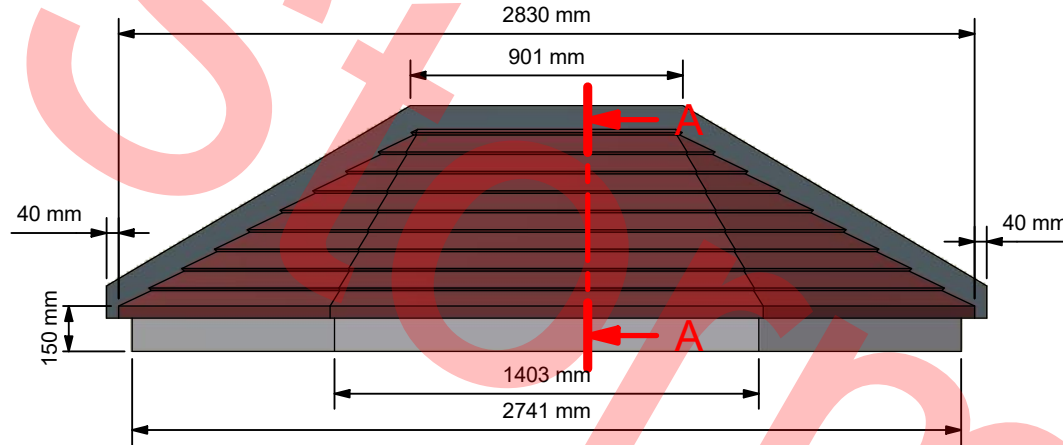


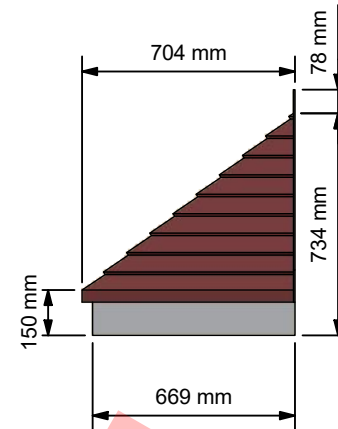
Auxiliary View (1 : 35)



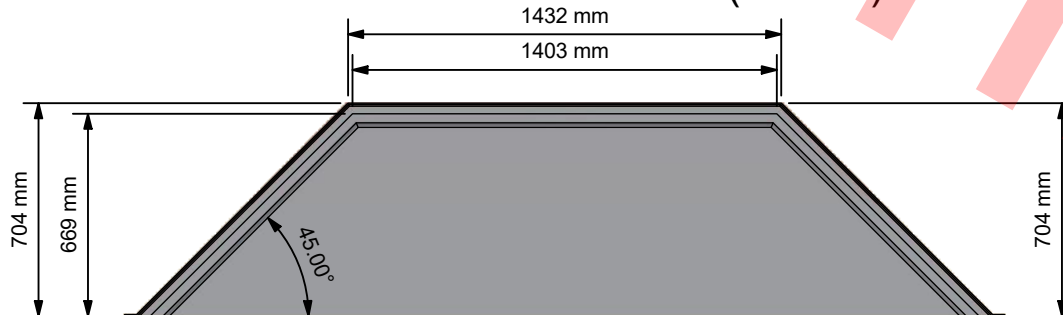
Front Elevation (1 : 25)



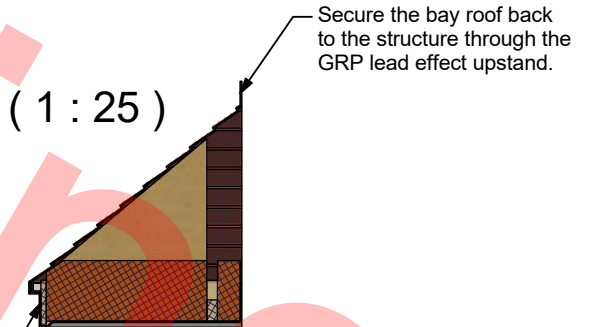
Side Elevation (1 : 25)



Reflected Plan Elevation (1 : 25)



A-A (1 : 25)



Timber frame and roof support timbers supplied and fitted by Stormking including spray foam insulation.

REV	DESCRIPTION	DATE	AUTHOR
B.1	1st Production Issue	12/02/2020	P O
B	669mm Was 664mm	12/02/2020	P O
A	Deleted Hips and Rolls	11/02/2020	P O

REVISION HISTORY



Amington Point, Sandy Way, Amington Ind. Est, TAMWORTH, Staffordshire. B77 4ED

Description

Tile Effect Bay Roof
2830mm x 704mm

Designed by
Dan Priest
Scale

Date
07/02/2020
Checked
KJ

Manufacture Notes
1. 2332 Base.
2. New Lid.

Approved
DP
Manuf. App
DP

Date
12/02/2020
Manuf. App
12/02/2020

Drawing Number
Sheet
1

8858

Of
1
Revision
B.1