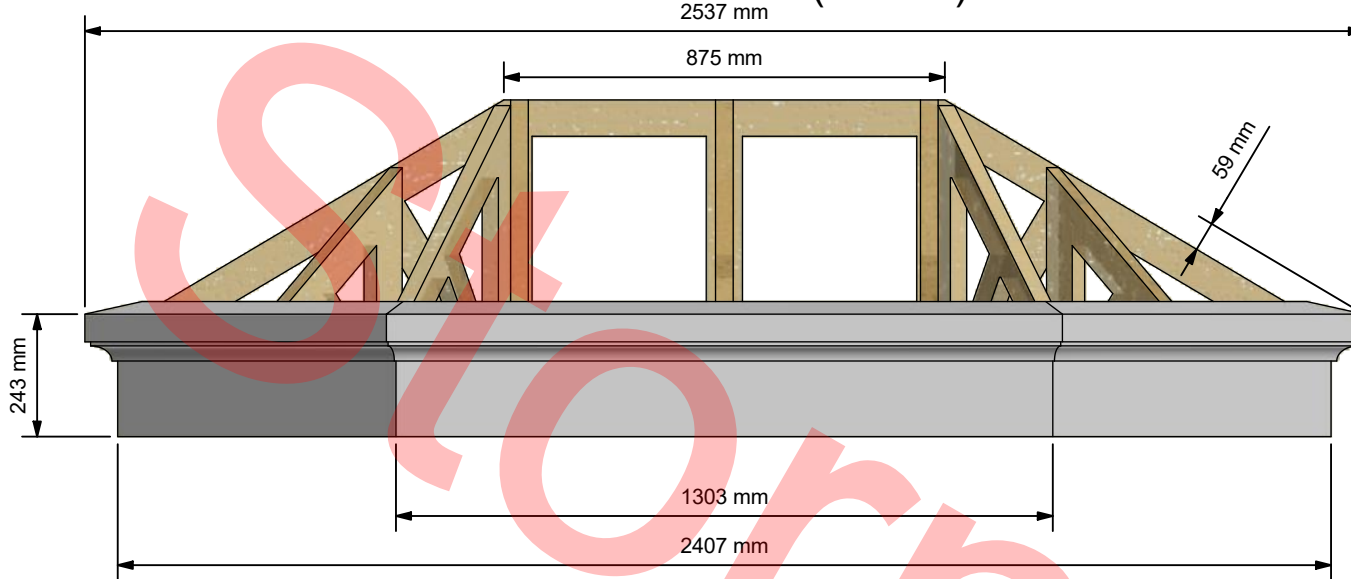
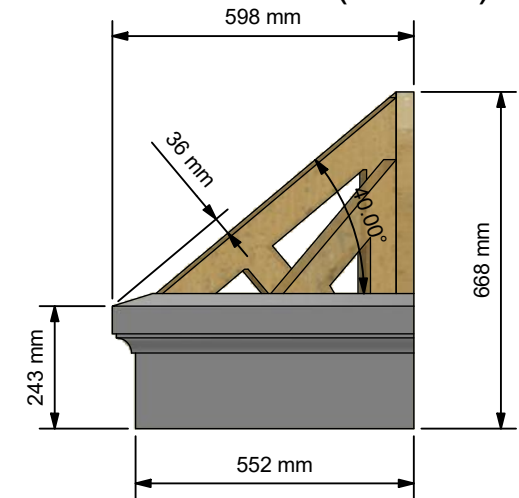


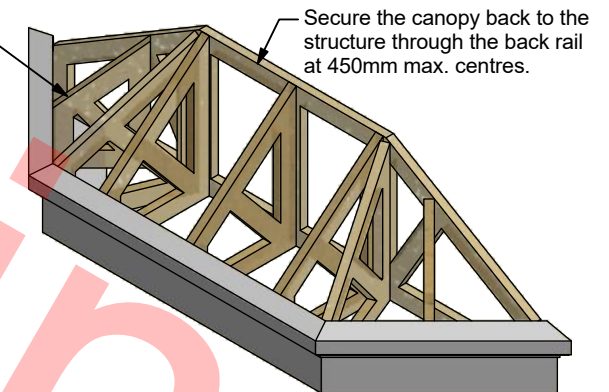
Front Elevation (1 : 15)



Side Elevation (1 : 15)

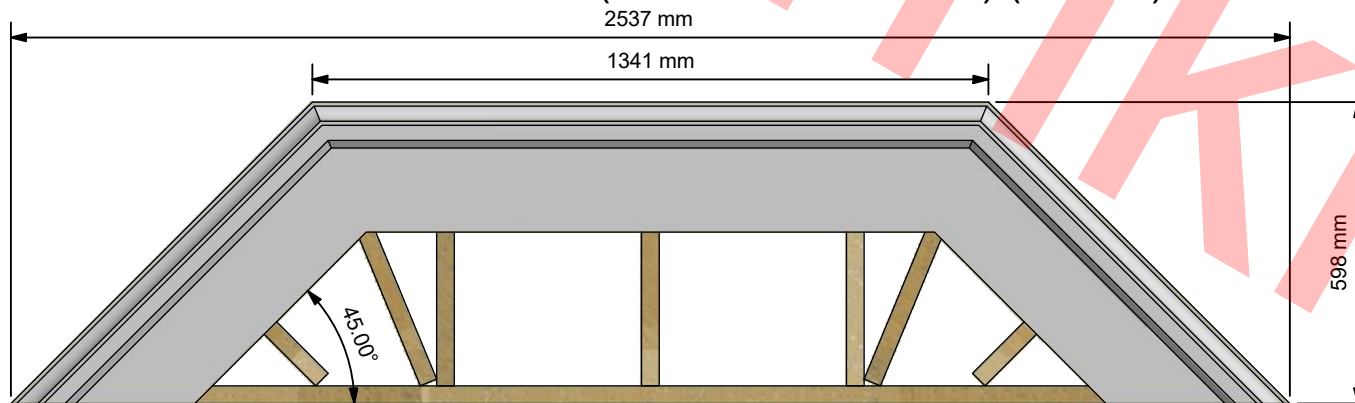


Auxiliary View (1 : 25)



Timber trusses supplied & fitted by Stormking to be insulated and finished tiled by others.

Reflected Plan Elevation (View From Beneath) (1 : 15)



B.1	1st Vault Production Issue	22/09/2021	Dan Priest
B	1st Vault Issue	22/09/2021	Dan Priest
A	Add Angle Dim	27/08/2021	Dan Priest
REV	DESCRIPTION	DATE	AUTHOR

REVISION HISTORY



Amington Point, Sandy Way, Amington Ind. Est.
TAMWORTH, Staffordshire. B77 4ED

Description
Trussed Splay Bay Roof

Designed by	Date	Manufacture Notes 1. 6010 + Fab. 2. New.
Dan Priest	27/08/2021	
Scale	Checked	
	RS	

Approved	Date	Drawing Number		
DP	22/09/2021	8119		
Manuf. App	Manuf. App	Sheet	Of	Revision
DP	22/09/2021	1	1	B.1