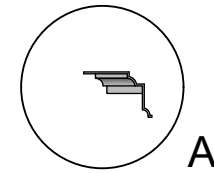
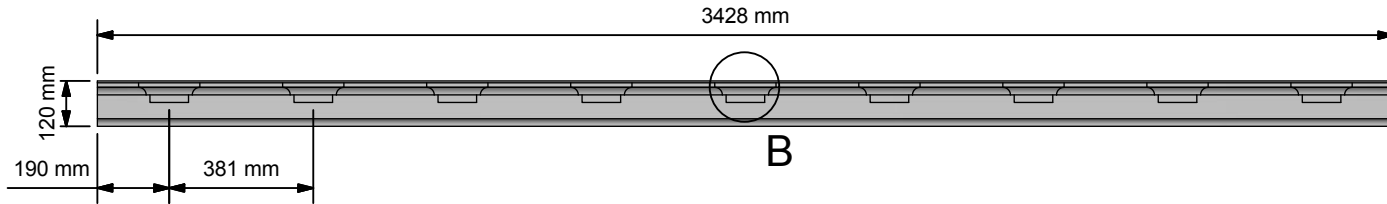
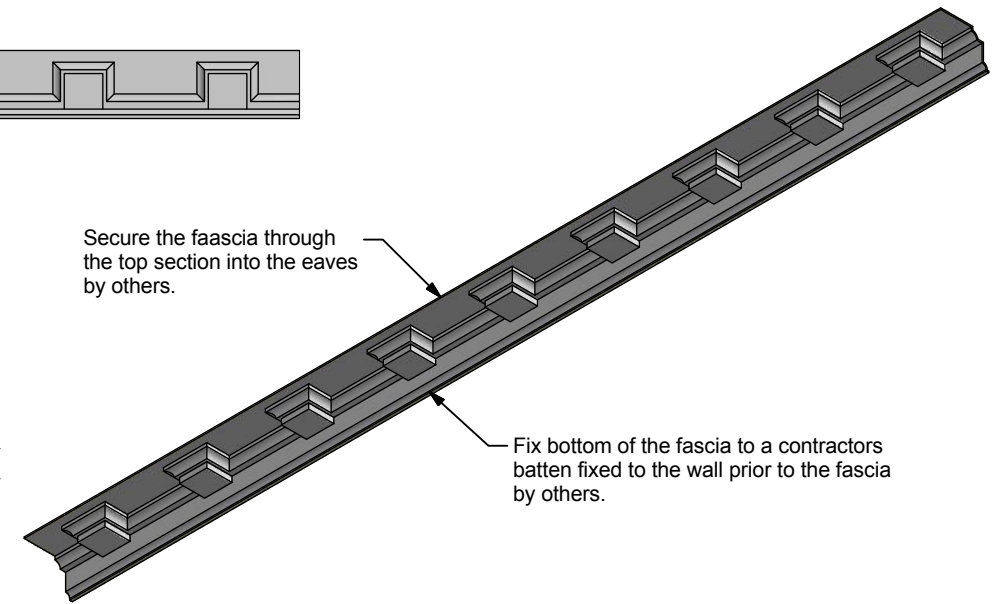
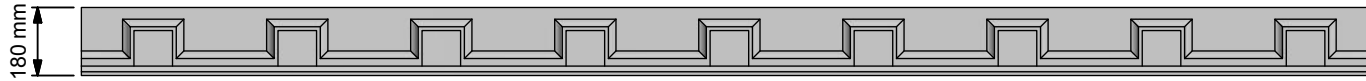


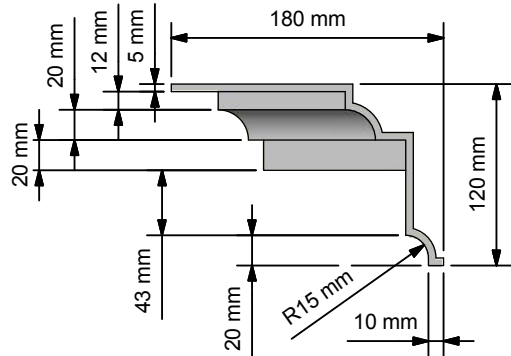
# Front Elevation ( 1 : 20 )



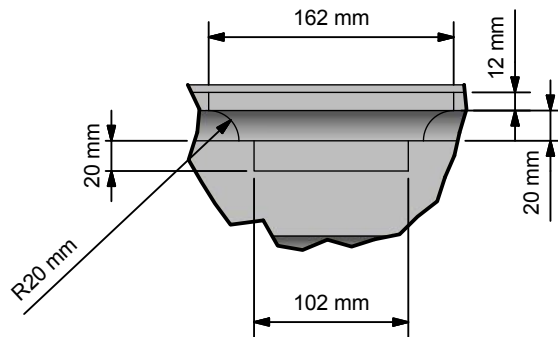
# Auxiliary View ( 1 : 20 )



## A ( 1 : 5 )



## B ( 1 : 5 )



REV	DESCRIPTION	DATE	AUTHOR
A.2	External Corner Stop End Added	07/06/2017	Dan P
A.1	Ext & Int Angles Added / 1st Vault Issue	23/01/2017	Dan P
A	1st Issue	23/01/2017	Dan P

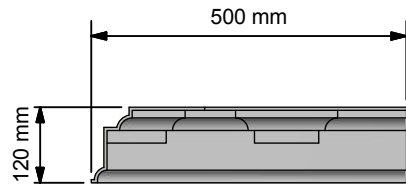
### REVISION HISTORY



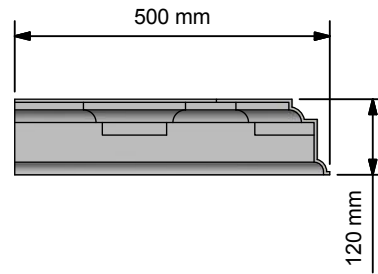
Description <b>Sunley Dentil Moulding</b>	Designed by	Date	Manufacture Notes 1. New
	Dan P	23/01/2017	
	Scale	Checked	
		GP	

Approved	Date	Drawing Number <b>7442</b>		
DP	23/01/2017			
Manuf. App	Manuf. App	Sheet	Of	Revision
PO	07/06/2017	<b>1</b>	<b>3</b>	<b>A.2</b>

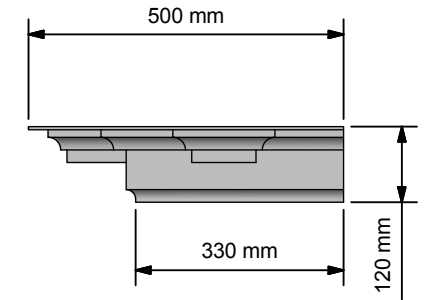
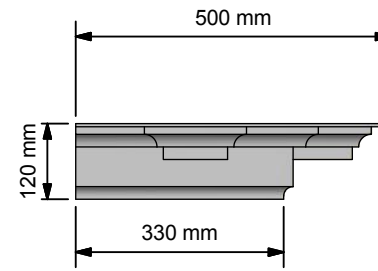
Front Elevation ( 1 : 12 )



Side Elevation ( 1 : 12 )

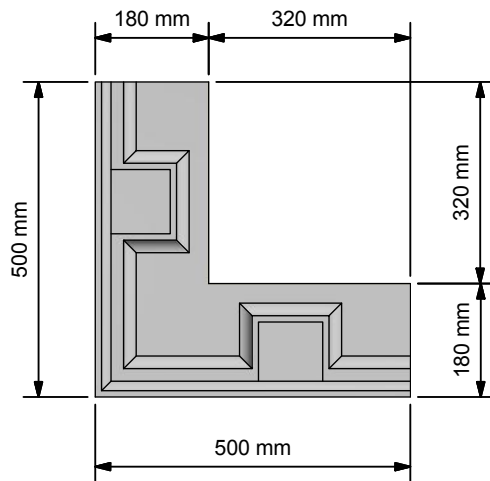


Front Elevation ( 1 : 12 )

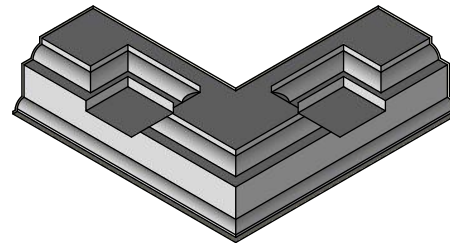


Internal Return

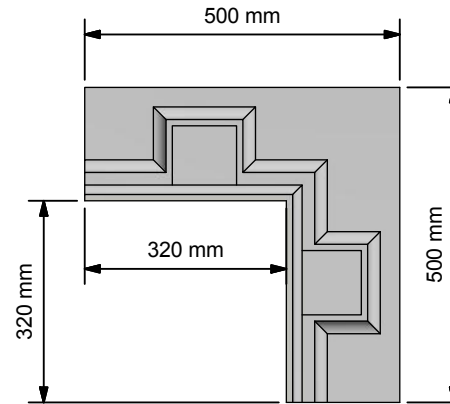
Reflected Plan Elevation ( 1 : 12 )



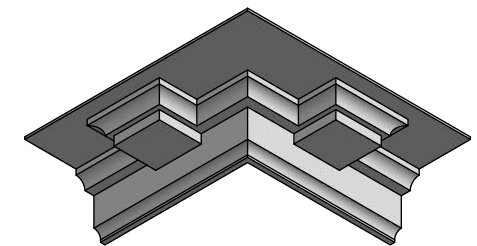
Auxiliary View ( 1 : 12 )



External Return



Auxiliary View ( 1 : 12 )



Amington Point, Sandy Way, Amington Ind. Est,  
TAMWORTH, Staffordshire. B77 4ED

Description  
**Sunley Dentil Moulding**

Designed by  
Dan P  
Scale

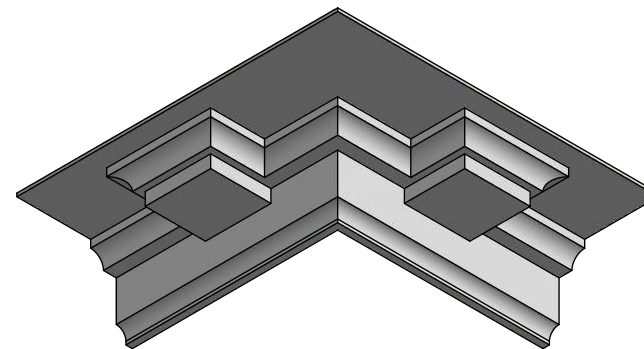
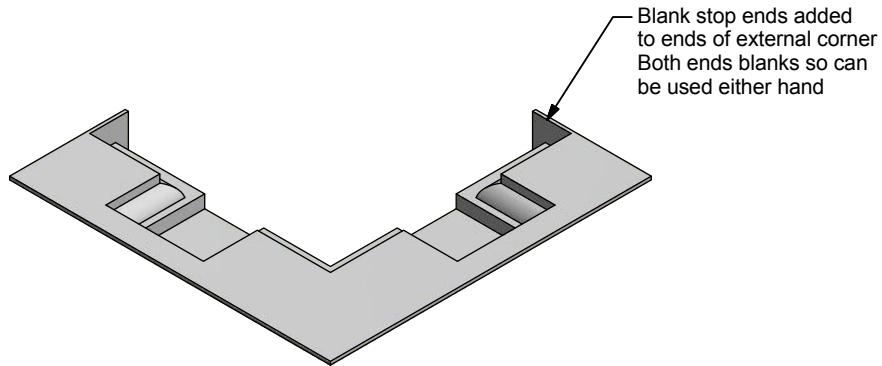
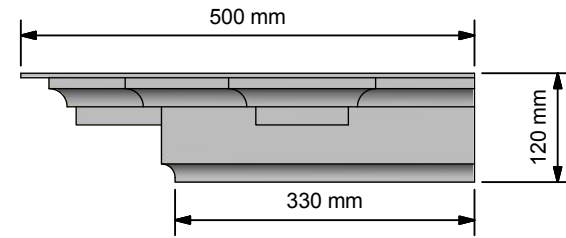
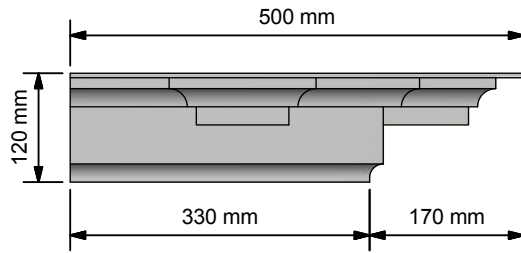
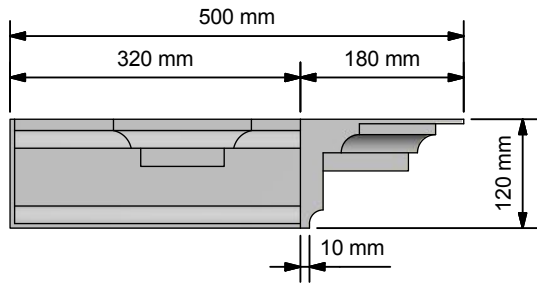
Date  
23/01/2017  
Checked  
GP

Manufacture Notes  
1. New

Approved  
DP  
Manuf. App  
PO

Date  
23/01/2017  
Manuf. App  
07/06/2017

Drawing Number	<b>7442</b>		
Sheet	Of	Revision	
<b>2</b>	<b>3</b>	<b>A.2</b>	



Amington Point, Sandy Way, Amington Ind. Est,  
TAMWORTH, Staffordshire. B77 4ED

Description  
**Sunley Dentil Moulding  
 External Corner Blank Stop End**

Designed by  
 Dan P  
 Scale  
 GP

Date  
 23/01/2017  
 Checked  
 GP

Manufacture Notes  
 1. External corner with  
 fabricated stop to end

Approved  
 DP  
 Manuf. App  
 PO

Date  
 23/01/2017  
 Manuf. App  
 07/06/2017

Drawing Number	<b>7442</b>		
Sheet	Of	Revision	
<b>3</b>	<b>3</b>	<b>A.2</b>	