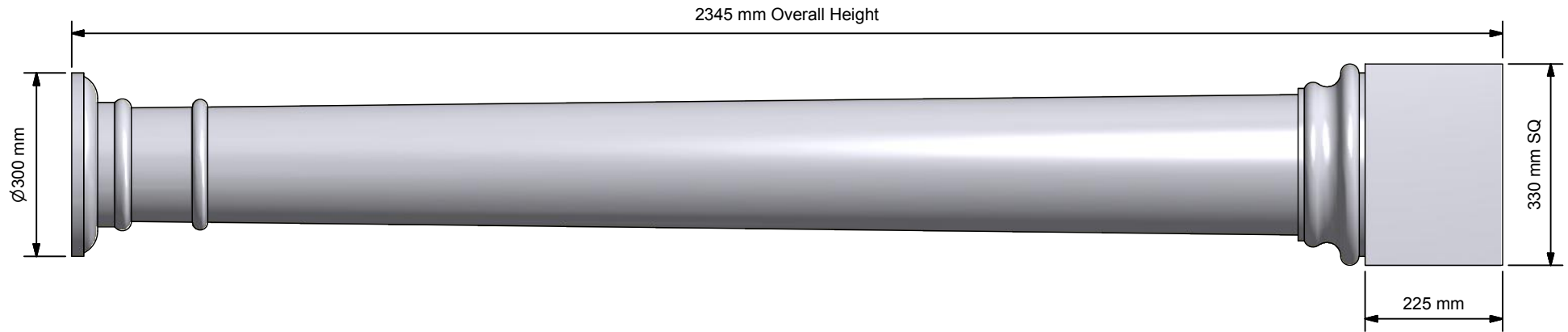


Front Elevation (1 : 10)



B.1	1st Production Issue	27/09/2013	danpriest
B	Changed To 3D	27/09/2013	danpriest
A	Re-designed	27/09/2013	danpriest
REV	DESCRIPTION	DATE	AUTHOR

REVISION HISTORY

 <small>The Shape of GFRP Technology Amington Point, Sandy Way, Amington Ind. Est, TAMWORTH, Staffordshire. B77 4ED</small>	Description <h2 style="margin: 0;">Standard Plain Column</h2>	Designed by	Date	Manufacture Notes 1. New	Approved	Date	Drawing Number 6040			
		danpriest	27/09/2013		Scale	Checked	RS	27/09/2013	Manuf. App	Manuf. App
			DP		RS	27/09/2013	1	1	B.1	