

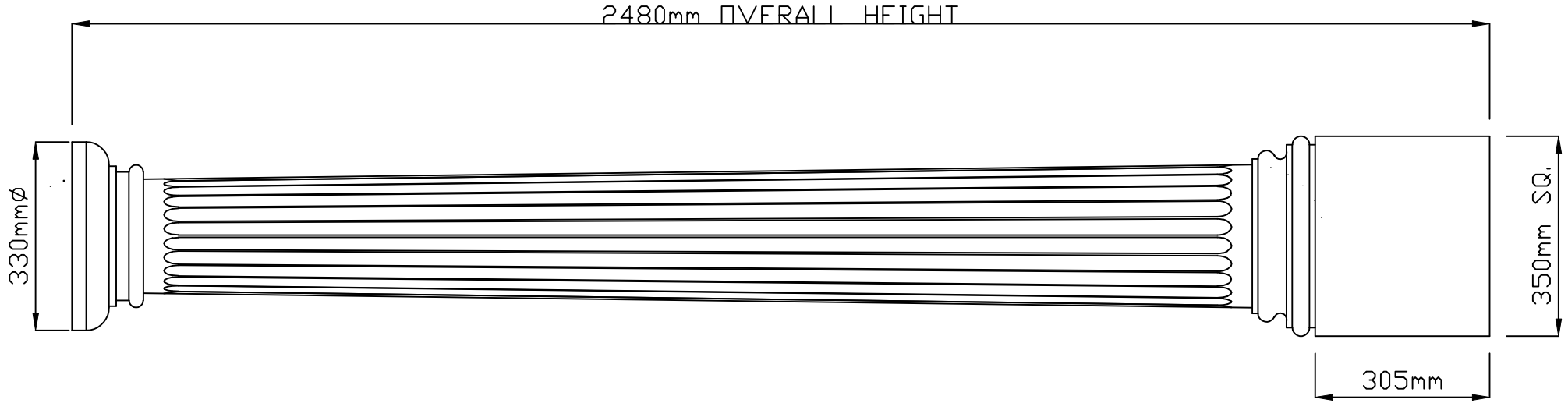
THIRD ANGLE PROJECTION

IF IN DOUBT ASK

DO NOT SCALE

ALL DIMENSIONS IN mm

ISSUE	MODIFICATION	NAME	DATE
a	FIRST ISSUE		
b			



STORM KING

POOLEY LANE, TAMWORTH Tel (0827) 896441
STAFFS B78 1JA Fax (0827) 892758

THIS DRAWING IS THE PROPERTY OF
STORM KING PLASTIC'S LTD, WEST
MIDLANDS, ENGLAND. AND IS CONFIDENTIAL
IT MUST NOT BE LOANED, DR COPIED OR OTHERWISE COMM-
UNICATED TO A THIRD PARTY WITH-
OUT PERMISSION AND IS SUBJECT
TO RECALL AT ANY TIME. ©

GENERAL TOLERANCES
UNLESS OTHERWISE STATED

WHOLE NUMBERS \pm 5.0
ANGULAR DIM'S \pm 2.5°

DESCRIPTION

FLUTED COLUMN

SCALE	N.T.S.	QTY		DRWG No.
JOB N°			DATE	2665
DRAWN	P.A.D.		12/4/95	
CHK'D				A3 SHT 1 OF 1