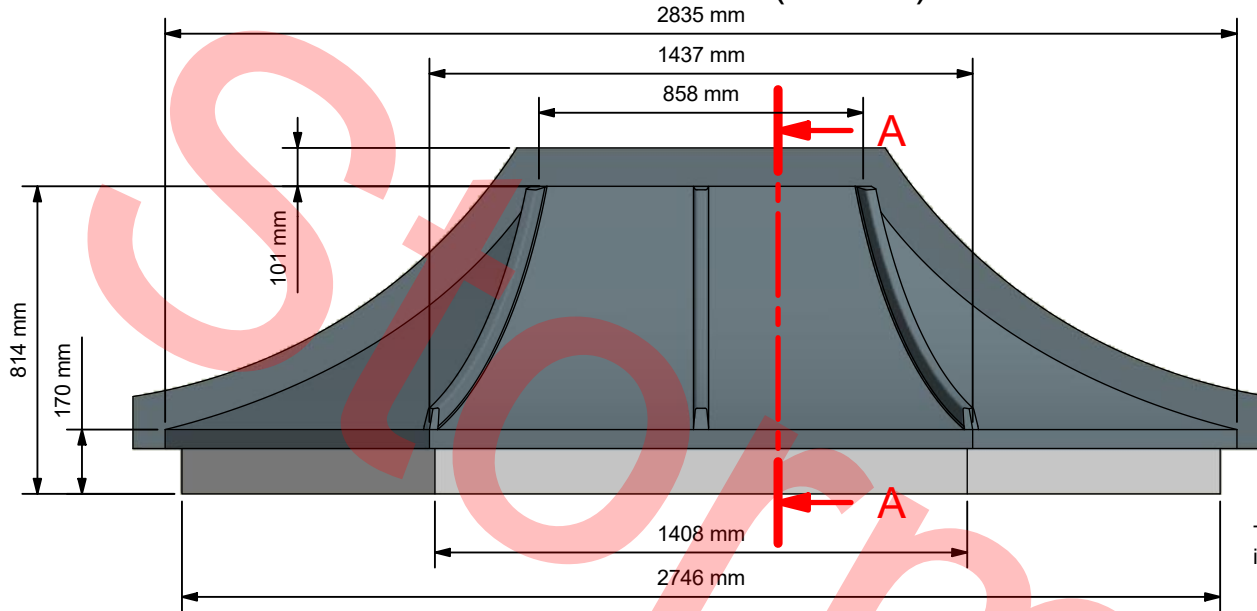
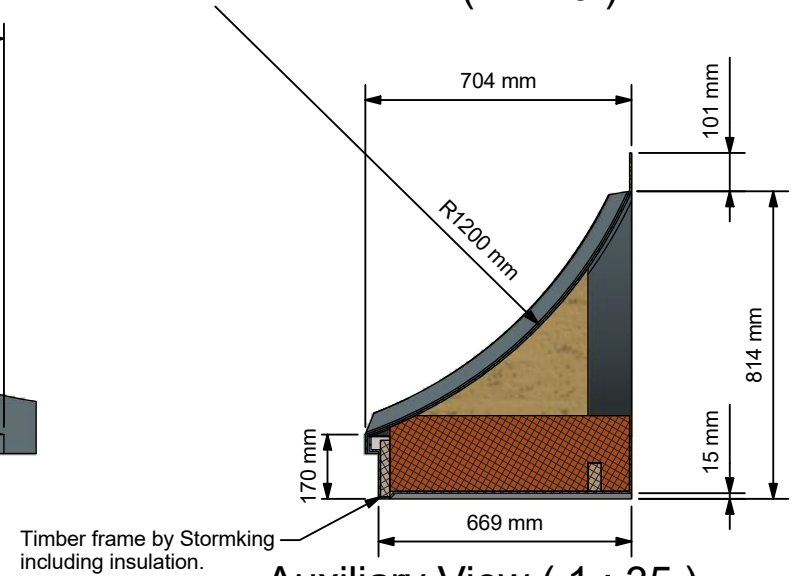


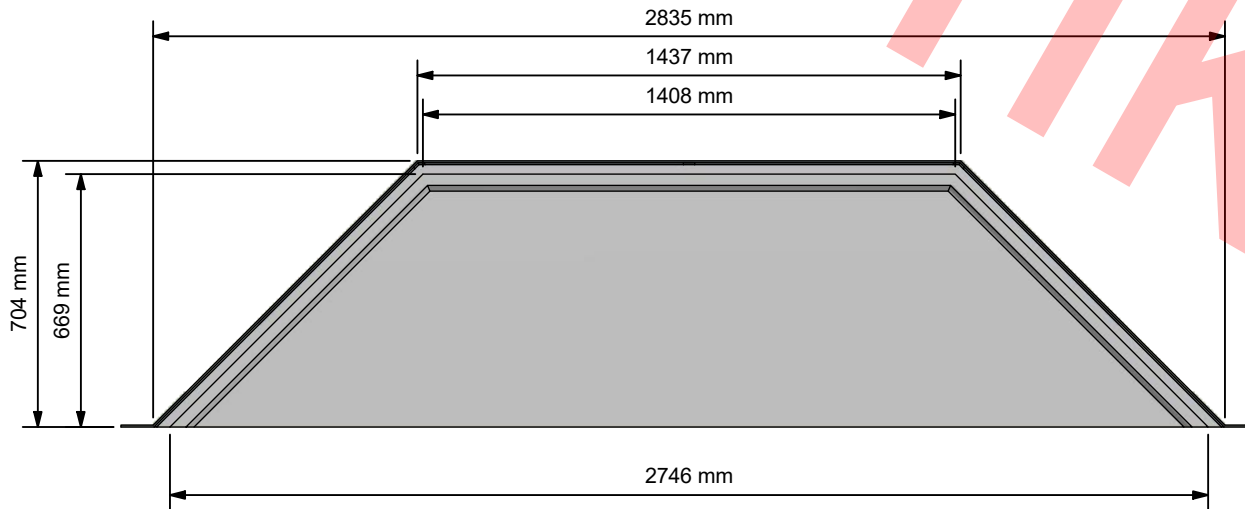
Front Elevation ( 1 : 20 )



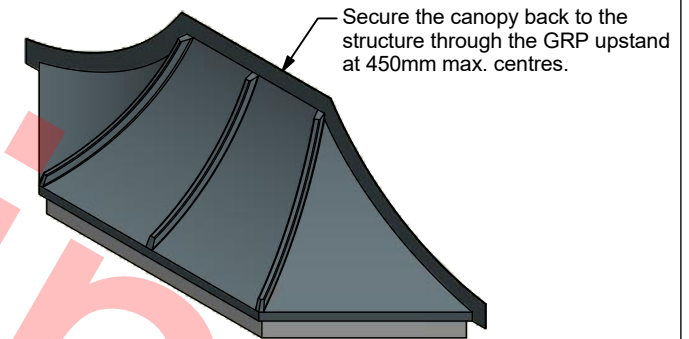
A-A ( 1 : 20 )



Reflected Plan Elevation (View From Beneath) ( 1 : 20 )



Auxiliary View ( 1 : 35 )



REV	DESCRIPTION	DATE	AUTHOR
C.1	1st Production Issue	26/08/2021	Dan Priest
C	Bay Sizes Removed	26/08/2021	Dan Priest
B	669mm Was 774mm	26/08/2021	Dan Priest
A	1st Issue	26/08/2021	Dan Priest

REVISION HISTORY



Amington Point, Sandy Way, Amington Ind. Est,  
TAMWORTH, Staffordshire. B77 4ED

Description  
**Curved Lead Effect Bay Roof**

Designed by  
Dan Priest  
Scale

Date  
25/08/2021  
Checked  
RS

Manufacture Notes  
1. New.

Approved	Date	Drawing Number	Sheet	Of	Revision
DP	26/08/2021	2332	1	1	C.1
Manuf. App DP	Manuf. App 26/08/2021				