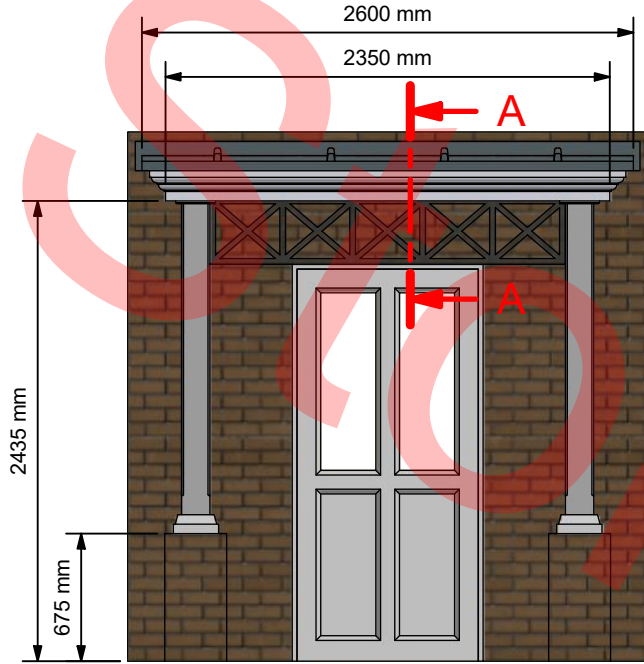
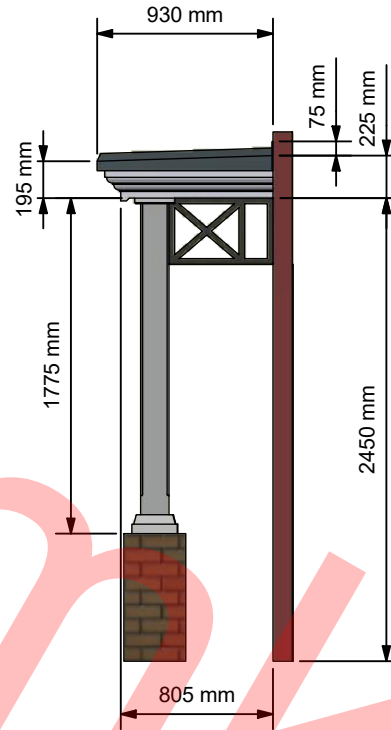


House Type
Oakley
Stanford

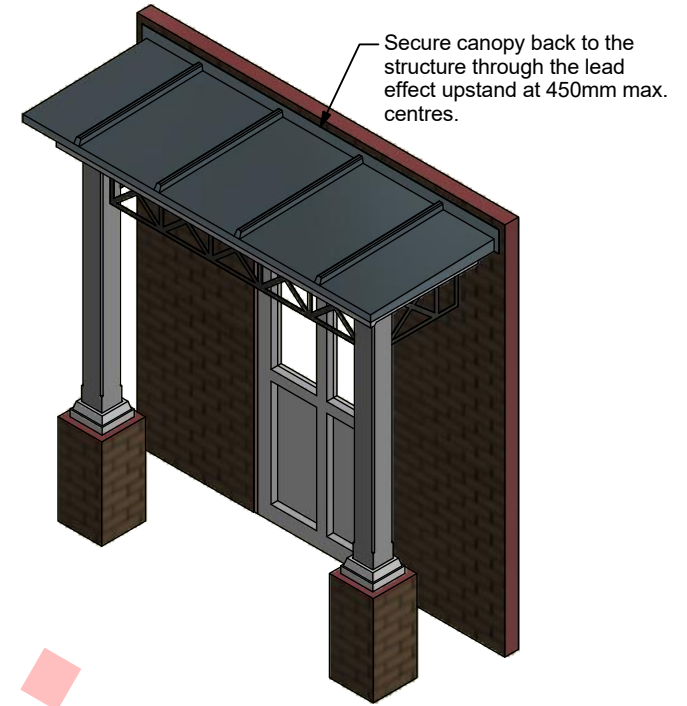
Front Elevation (1 : 40)



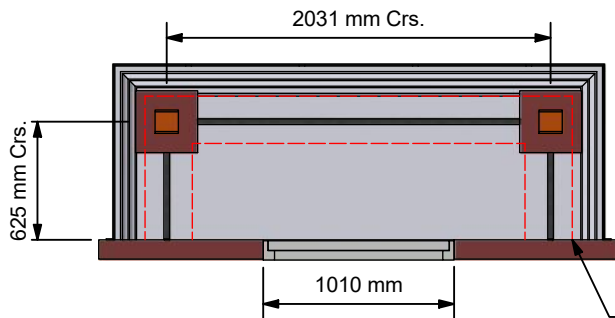
Side Elevation (1 : 40)



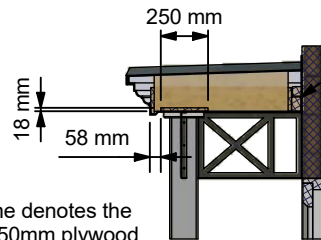
Auxiliary View (1 : 40)



Reflected Plan Elevation (1 : 40)



A-A (1 : 40)



75mm x 50mm contractors rail supplied & fitted by others prior to the canopy to allow for soffit fixing at 300mm max. centres.

Dashed line denotes the 18mm x 250mm plywood running around the canopy soffit internally.

REV	DESCRIPTION	DATE	AUTHOR
A.5	Notes Changed Tpo New For Canopy	12/04/2021	danpriest
A.4	Steel Work Altered and Detail Added	26/11/2019	danpriest
A.3	Post Shroud Added	06/09/2019	danpriest
A.2	Posts Changed To 1211033	29/08/2019	danpriest
A.1	1st Production Issue	19/08/2019	danpriest
A	1st Issue	29/05/2019	danpriest

REVISION HISTORY



Amington Point, Sandy Way, Amington Ind. Est, TAMWORTH, Staffordshire, B77 4ED

Description
Flat Top Entrance Canopy
2600mm x 930mm

Designed by	Date	Manufacture Notes 1. New Base. 2. New Lid. 3. 1211033 Post 4. Steels
DanPriest	23/05/2019	
Scale	Checked	
	PO	

Approved	Date	Drawing Number	1905048		
DP	15/08/2019	Sheet	Of	Revision	
Manuf. App	Manuf. App	1	1	A.5	
DP	12/04/2021				