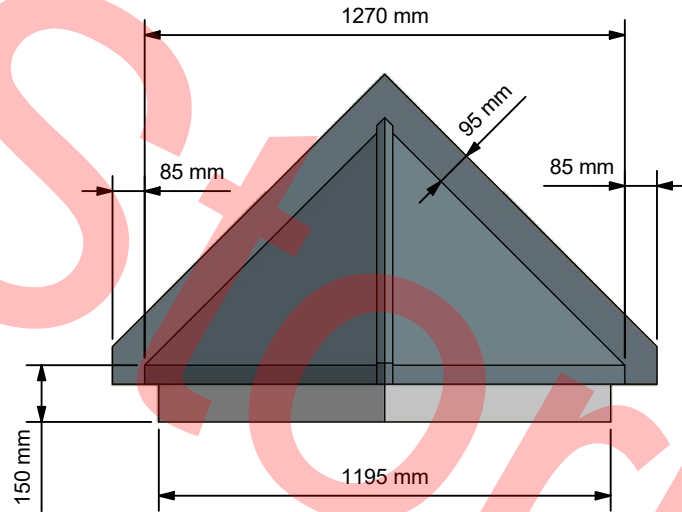
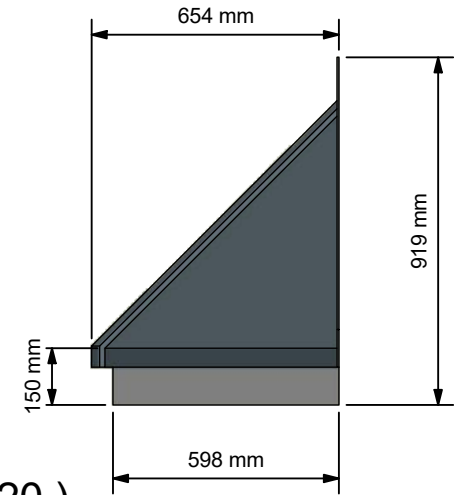


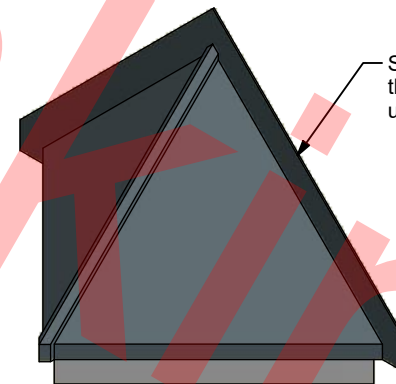
Front Elevation (1 : 20)



Side Elevation (1 : 20)

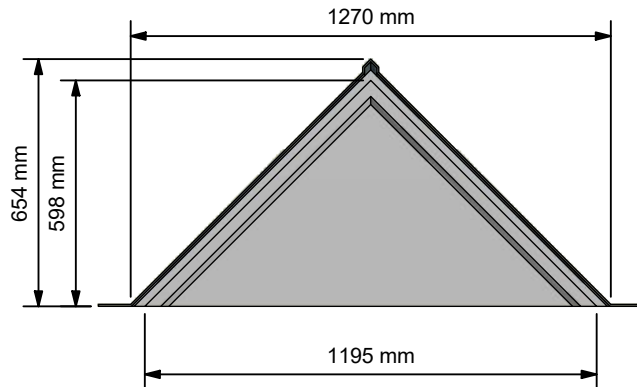


Auxiliary View (1 : 20)



Secure the Oriel roof back to the structure through the GRP upstand at 450mm max. centres.

Reflected Plan Elevation (View From Beneath) (1 : 20)



A.1	1st Production Issue	10/11/2021	Dan Priest
A	1st Issue	26/10/2021	Dan Priest
REV	DESCRIPTION	DATE	AUTHOR

REVISION HISTORY



Amington Point, Sandy Way, Amington Ind. Est,
TAMWORTH, Staffordshire, B77 4ED

Description

OR7 Oriel Window

Designed by
Dan Priest
Scale

Date
26/10/2021
Checked
A

Manufacture Notes
1. New.

Approved
RS
Manuf. App
RS

Date
10/11/2021
Manuf. App
10/11/2021

Drawing Number
1891
Sheet
1
Of
1
Revision
A.1