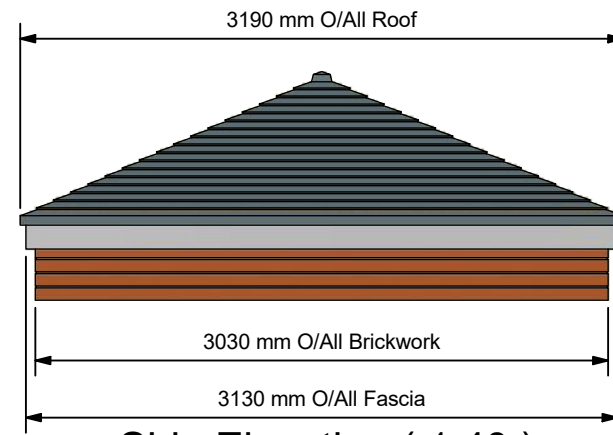
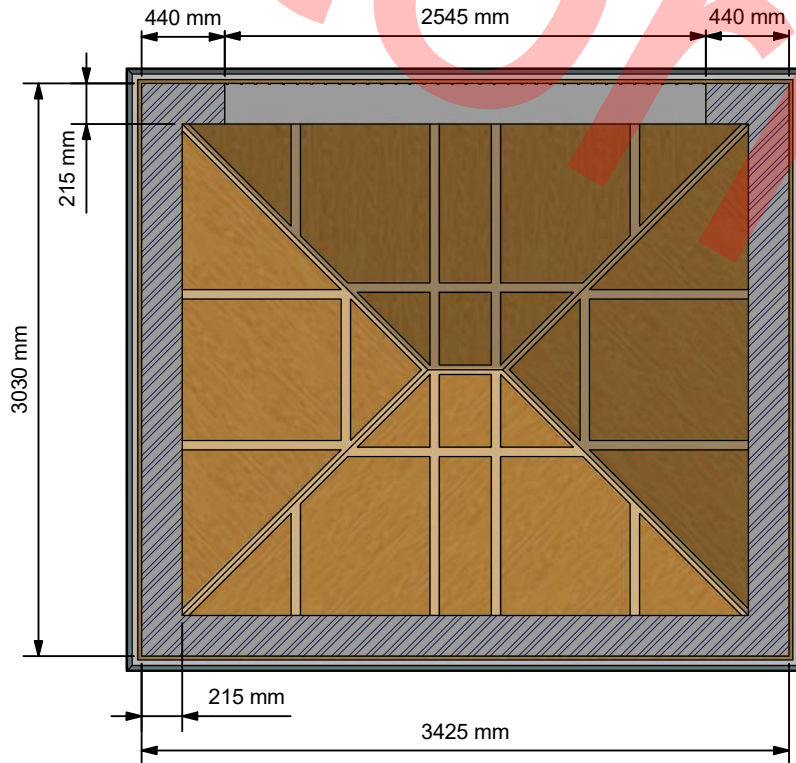


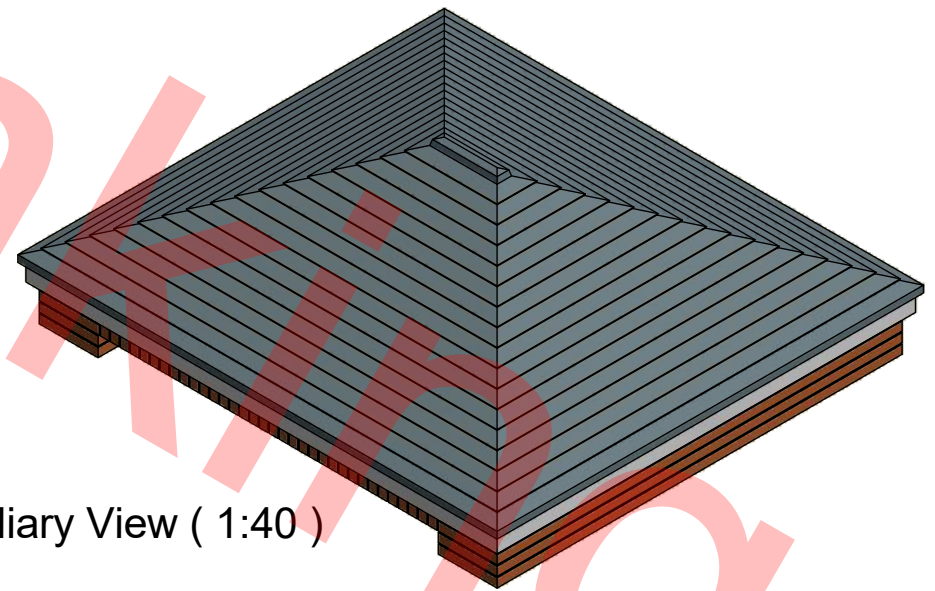
Front Elevation (1:40)



Side Elevation (1:40)



A-A (1:40) Showing Brickwork Dims



Auxiliary View (1:40)

REV	DESCRIPTION	DATE	AUTHOR
A.2	Plywood Removed	09/03/2020	RS
A.1	1st Production Issue	12/01/2018	RS
A	1st Issue	05/01/2018	RS

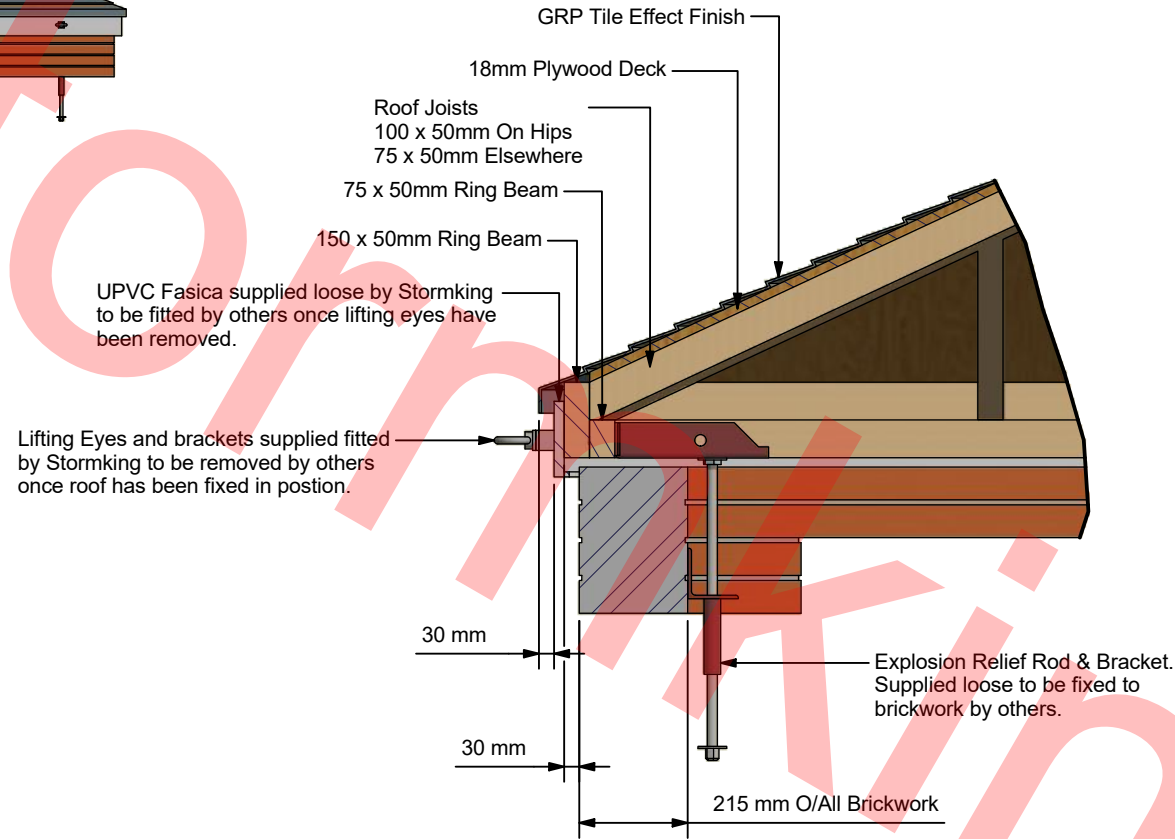
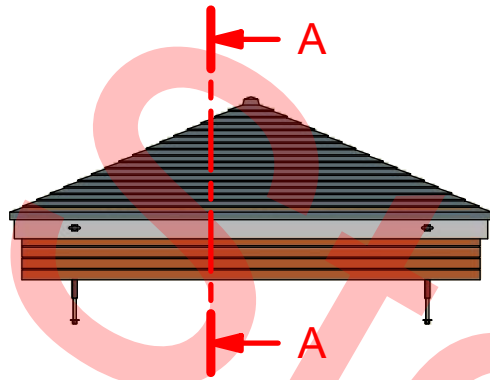
REVISION HISTORY



Description
**GRP Tile Effect Substaion Roof
 To Suit 3425 x 3030mm Brickwork**

Designed by	Date	Manufacture Notes
Richard	03/01/2018	1. Fabrication
Scale	Checked	
	PO	

Approved	Date	Drawing Number	Revision		
GP	12/01/2018	1801004	Sheet	Of	Revision
Manuf. App DP	Manuf. App 09/03/2020	1	2	A.2	



Auxiliary Section A-A



Description	GRP Tile Effect Substaion Roof To Suit 3425 x 3030mm Brickwork	
	Designed by	Date
	Richard	03/01/2018
	Scale	Checked
		PO

Manufacture Notes	Approved	Date
1. Fabrication	GP	12/01/2018
	Manuf. App	Manuf. App
	DP	09/03/2020

Drawing Number	1801004
Sheet	2
Of	2
Revision	A.2