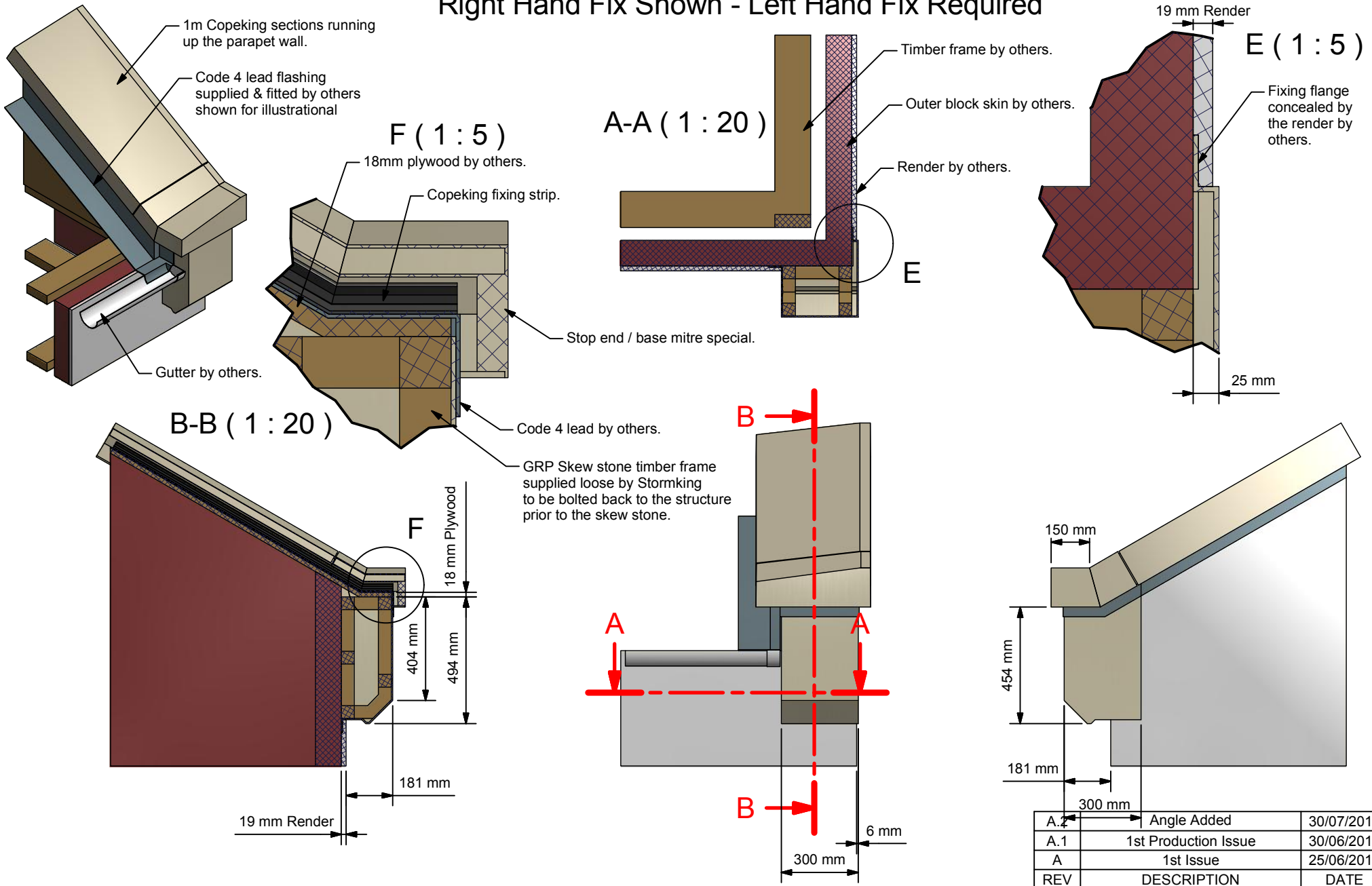


Right Hand Fix Shown - Left Hand Fix Required



REV	DESCRIPTION	DATE	AUTHOR
A.2	Angle Added	30/07/2015	danpriest
A.1	1st Production Issue	30/06/2015	danpriest
A	1st Issue	25/06/2015	danpriest

REVISION HISTORY				
Approved	Date	Drawing Number	1506063	
GP	30/06/2015	Sheet	Of	Revision
Manuf. App DP	Manuf. App 30/07/2015	1	3	A.2



Description
GRP Skew Stone
300mm x 494mm x 300mm

Designed by
danpriest

Scale

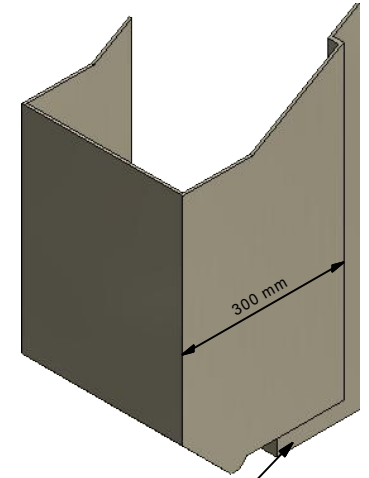
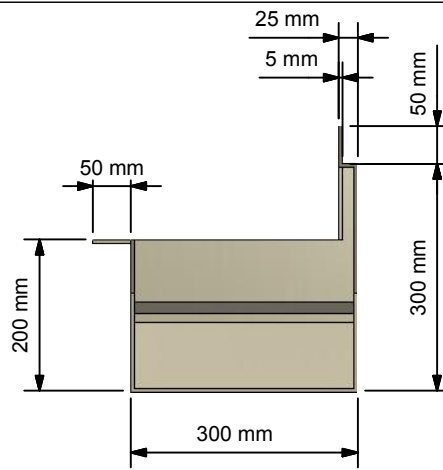
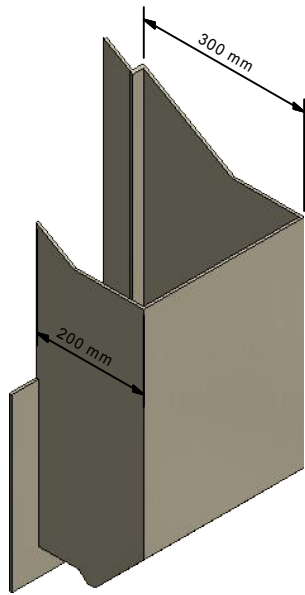
Date
19/06/2015

Checked
PO

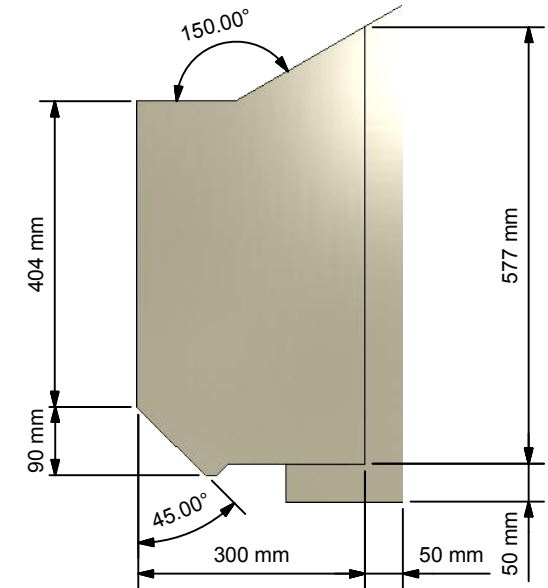
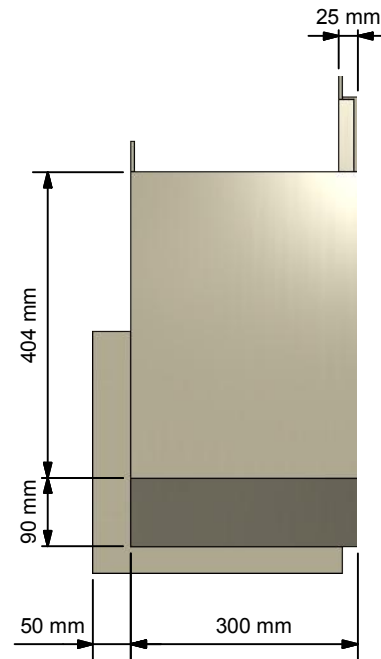
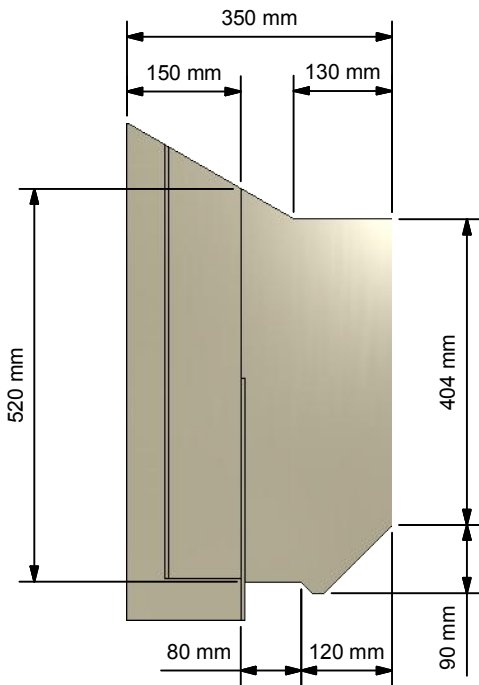
Manufacture Notes
1. New

Amington Point, Sandy Way, Amington Ind. Est,
TAMWORTH, Staffordshire. B77 4ED

Right Hand Fix Shown - Left Hand Fix Required



Fixing flange to enable the GRP skew stone to be screw fixed to the structure using suitable wall plugs and screw.



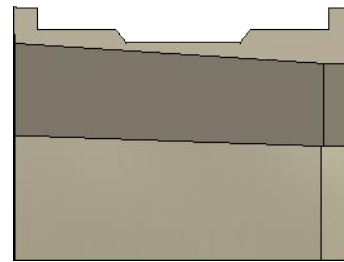
Amington Point, Sandy Way, Amington Ind. Est,
TAMWORTH, Staffordshire. B77 4ED

Description
GRP Skew Stone
300mm x 494mm x 300mm

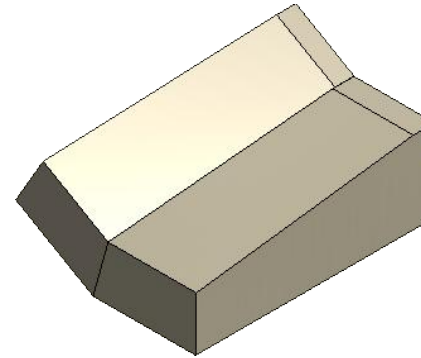
Designed by	Date	Manufacture Notes	Approved	Date	Drawing Number	1506063		
danpriest	19/06/2015		GP	30/06/2015		Of	3	Revision
Scale	Checked	1. New	Manuf. App	Manuf. App	Sheet	2		
	PO		DP	30/07/2015				

Right Hand Fix Shown - Left Hand Fix Required

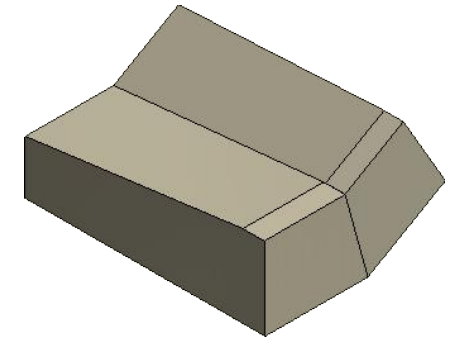
Plan Elevation (1 : 10)



Auxiliary View (1 : 10)

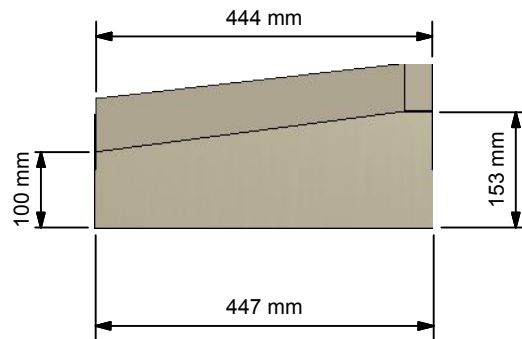
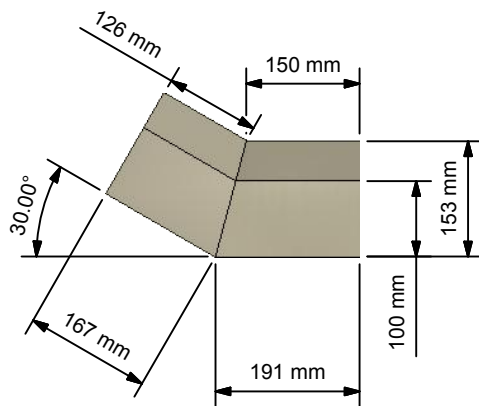


Auxiliary View (1 : 10)



Side Elevation (1 : 10)

Front Elevation (1 : 10)



Amington Point, Sandy Way, Amington Ind. Est,
TAMWORTH, Staffordshire, B77 4ED

Description
**Special Base Mitre
Incorporating Stop End**

Designed by danpriest	Date 19/06/2015	Manufacture Notes	Approved GP	Date 30/06/2015	Drawing Number 1506063		
Scale	Checked PO		Manuf. App DP	Manuf. App 30/07/2015	Sheet 3	Of 3	Revision A.2