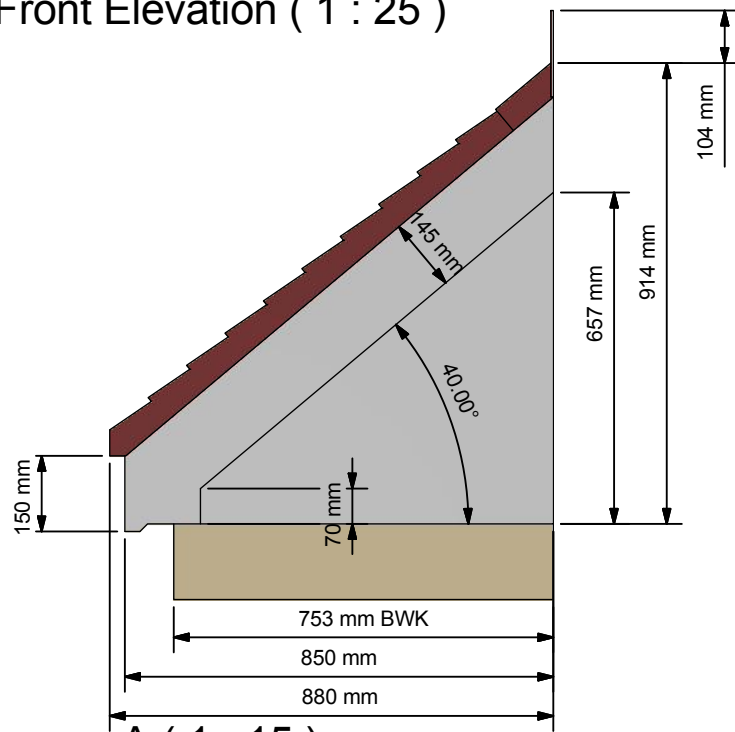
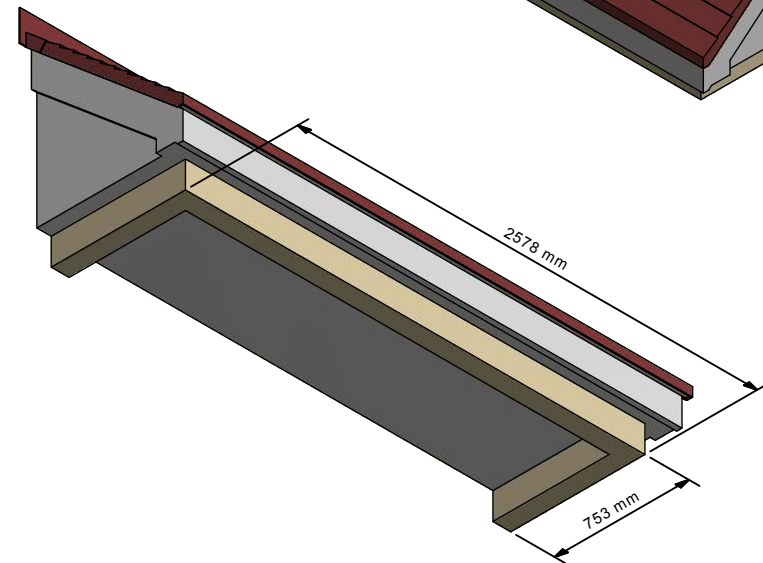
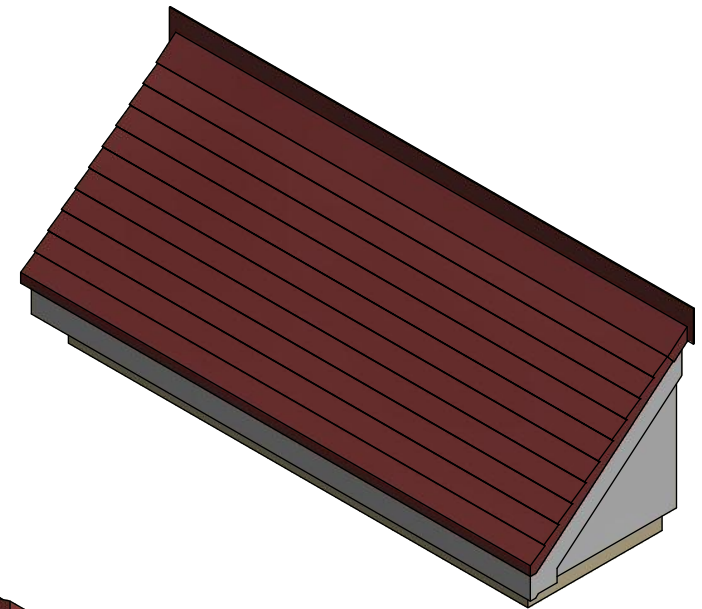


Front Elevation (1 : 25)



A (1 : 15)

A.2	Notes Changed To New	16/08/2017	P O
A.1	1st Production Issue	16/06/2015	P O
A	1st Issue	02/06/2015	P O
REV	DESCRIPTION	DATE	AUTHOR

REVISION HISTORY



Description
2800 x 850mm Lean To
Canopy

Designed by	Date	Manufacture Notes 1. New
P O	02/06/2015	
Scale	Checked	
		RS

Approved	Date	Drawing Number		
GP	16/06/2015	1506011		
Manuf. App	Manuf. App	Sheet	Of	Revision
DP	16/08/2017	1	1	A.2