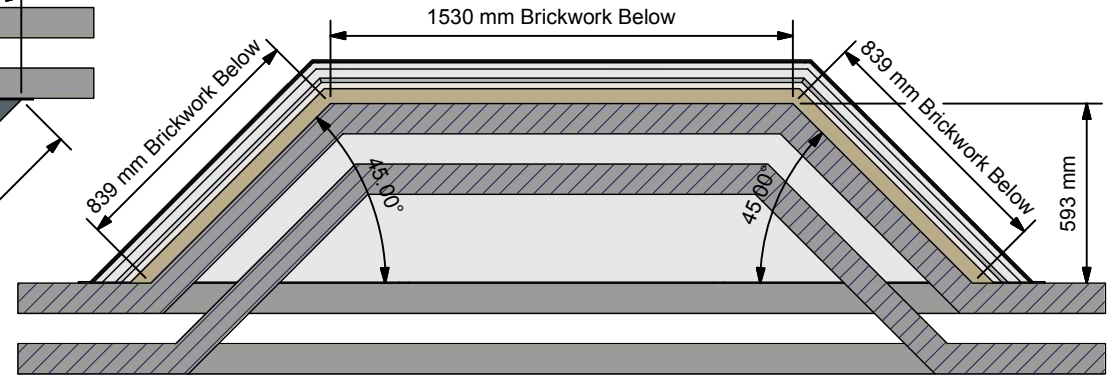
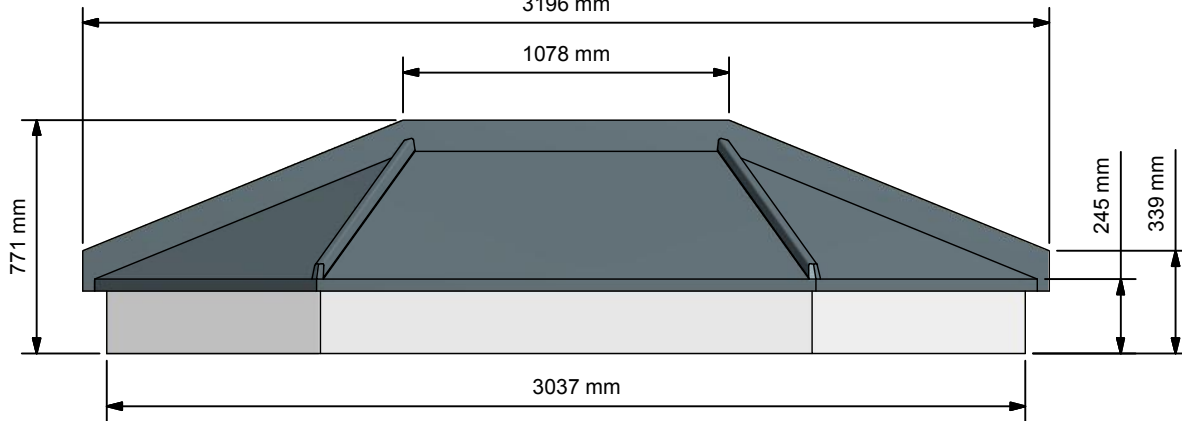


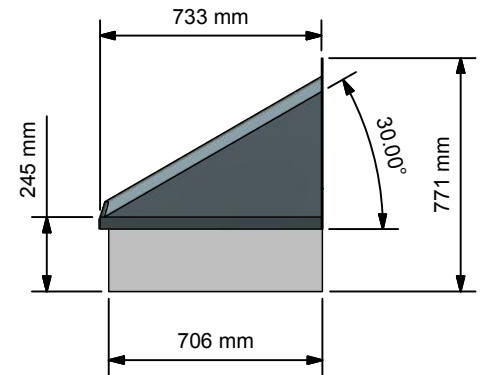
Plan View ( 1:25 )



Typical Section Through Structure ( 1:25 )



Front Elevation ( 1:25 )



Side Elevation ( 1:25 )



Reflected Plan View ( 1:25 )

For Assembly Details See Assembly Sheet 1.  
For Fixing Instructions See Fixing Sheet 2.

| REV | DESCRIPTION                     | DATE       | AUTHOR  |
|-----|---------------------------------|------------|---------|
| C.1 | 1st Production Issue            | 13/09/2013 | Richard |
| C   | Change brickwork size to 1530mm | 04/09/2013 | Richard |
| B   | Revise fascia profile           | 05/07/2013 | Richard |
| A   | 1st Issue                       | 25/06/2013 | Richard |

REVISION HISTORY



Description  
Pitched Standard Splayed Bay Roof

| Designed by | Date       | Manufacture Notes |
|-------------|------------|-------------------|
| Richard     | 25/06/2013 | 1. New            |
| Scale       | Checked    |                   |
|             | DP         |                   |

| Approved   | Date       | Drawing Number | Revision |          |  |
|------------|------------|----------------|----------|----------|--|
| GP         | 13/09/2013 | 1306087        |          |          |  |
| Manuf. App | Manuf. App | Sheet          | Of       | Revision |  |
| DP         | 13/09/2013 | 1              | 1        | C.1      |  |