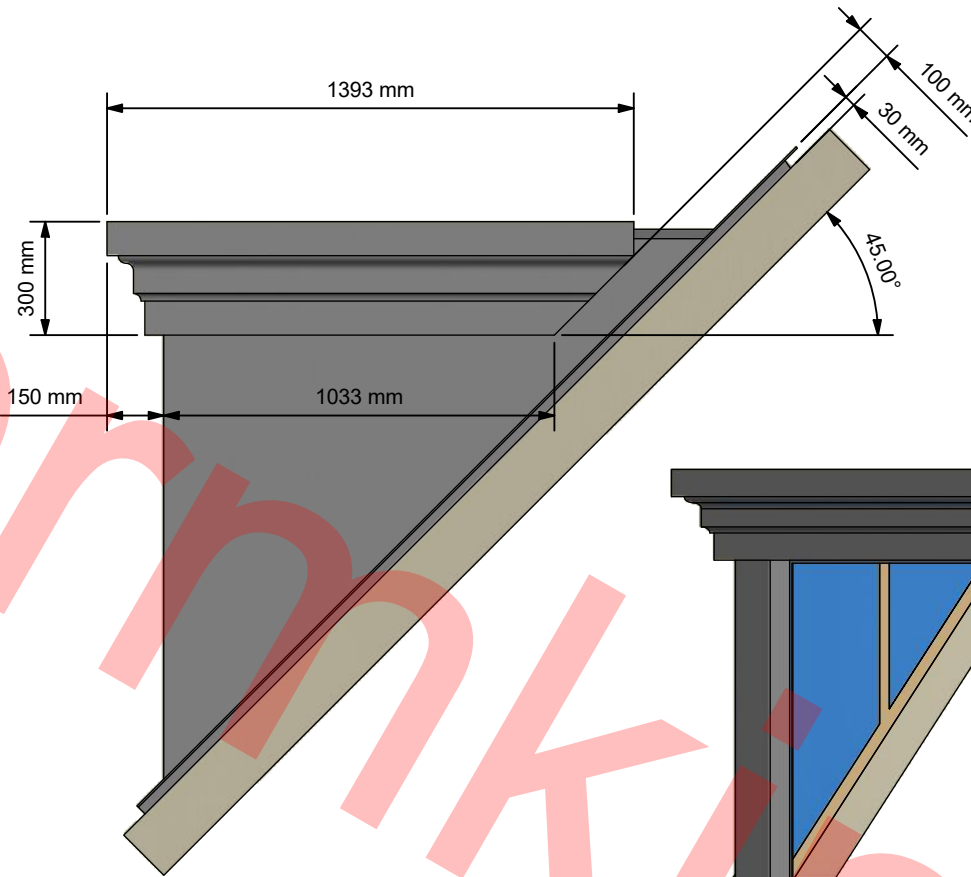
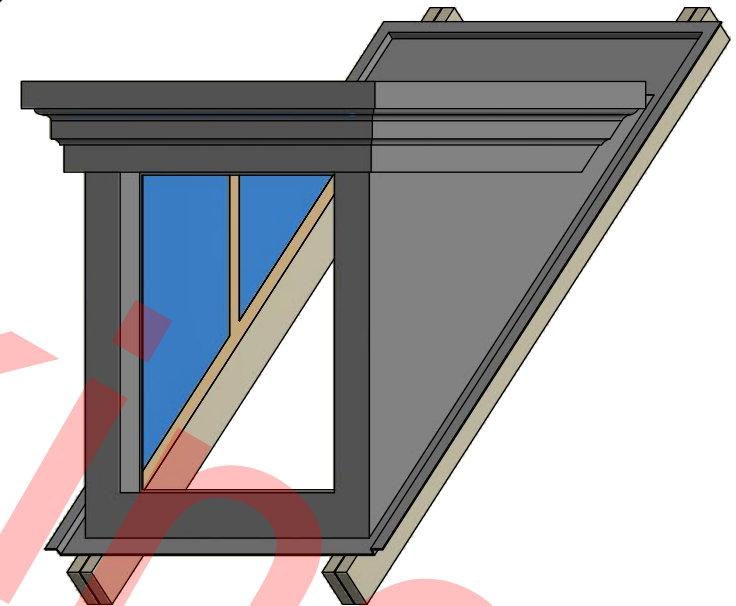


Front Elevation (1:20)



Side Elevation (1:20)



Auxiliary View (1:25)

REV	DESCRIPTION	DATE	AUTHOR
B.1	1st Production Issue	22/09/2021	Richard
B	Added To Vault	05/06/2019	Richard
A	1st Issue	05/06/2019	Richard

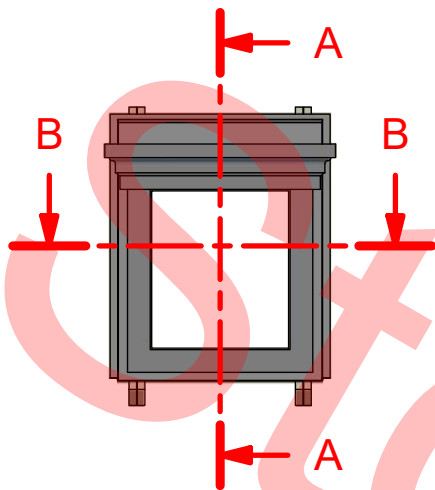
REVISION HISTORY



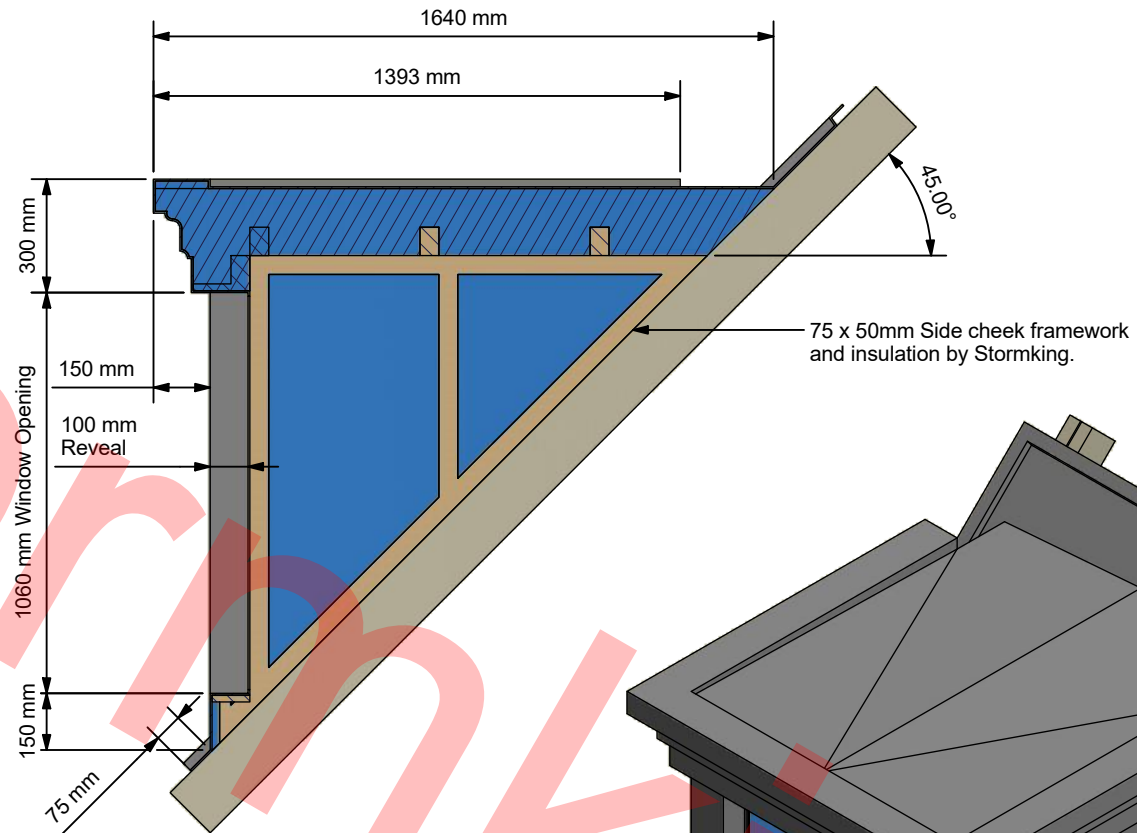
Description	FT45 - 915 x 1050mm Flat Top Warm-Dorma	
	Designed by	Date
	Richard	05/06/2019
	Scale	Checked
		DP

Manufacture Notes	1. i 8738-1 With Warm-Dorma Insulation.	
	Approved	Date
	DP	22/09/2021
	Manuf. App	Manuf. App
	DP	22/09/2021

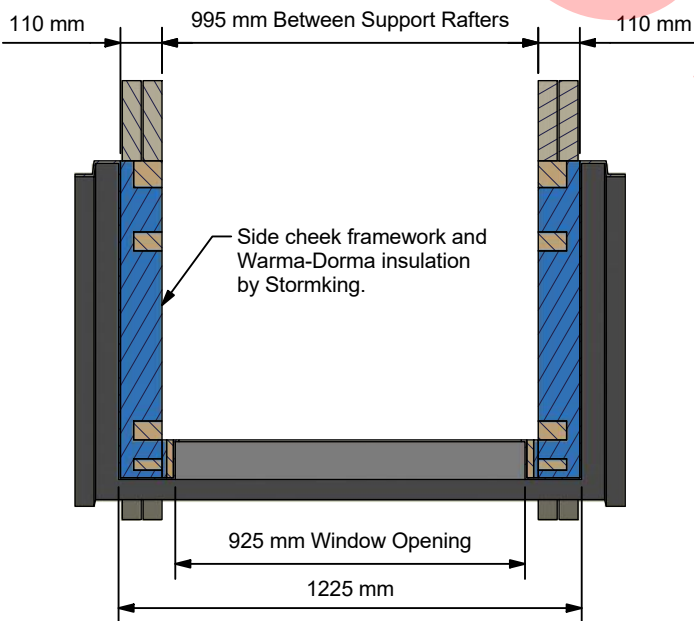
Approved	Date	Drawing Number	1302083		
DP	22/09/2021	Sheet	Of	Revision	
Manuf. App	Manuf. App	1	2	B.1	
DP	22/09/2021				



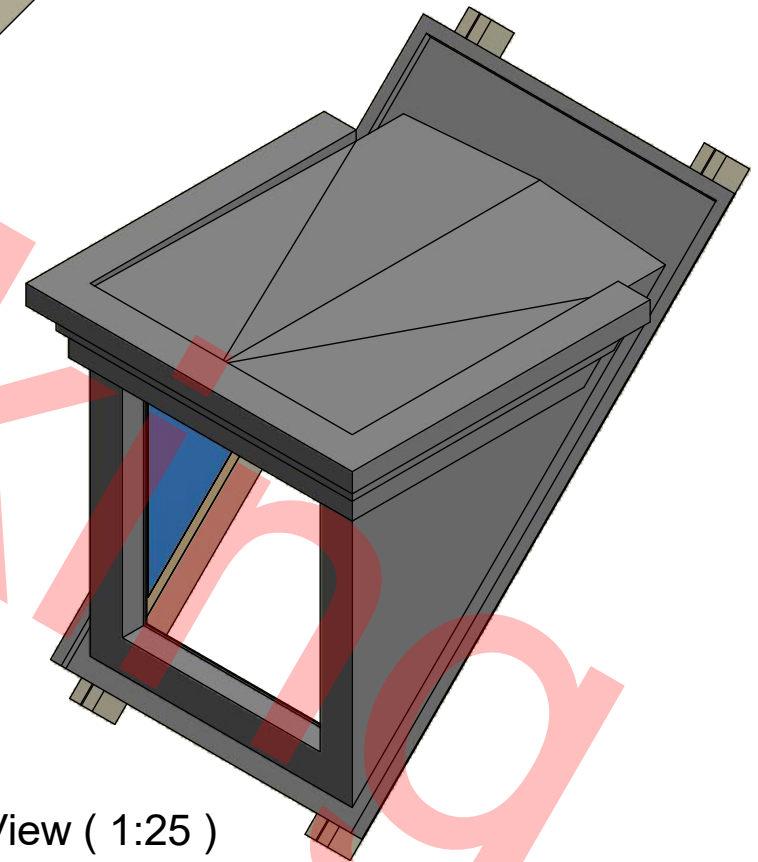
Front Elevation (1:50)



A-A (1:20)



B-B (1:20)



Auxiliary View (1:25)



Description
FT45 - 915 x 1050mm Flat Top Warma-Dorma

Designed by	Date	Manufacture Notes	Approved	Date	Drawing Number	1302083		
Richard	05/06/2019	1. i 8738-1 With Warma-Dorma Insulation.	DP	22/09/2021	Sheet	Of	Revision	
Scale	Checked		Manuf. App	Manuf. App	2	2	B.1	
	DP		DP	22/09/2021				