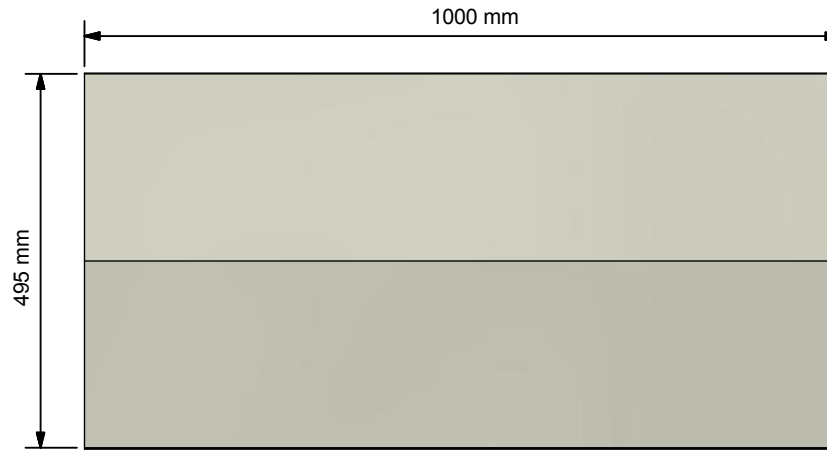
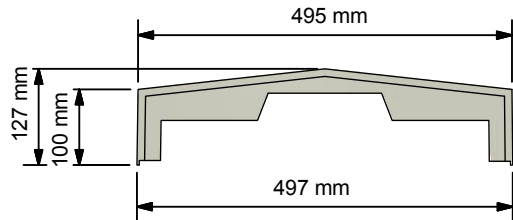


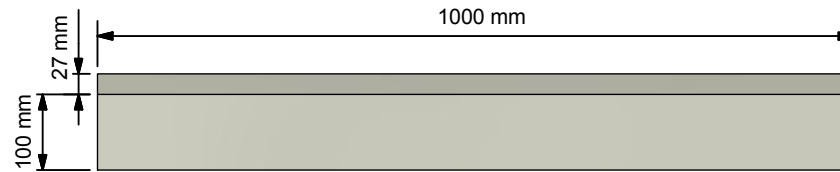
Aux View - 1m Straight (1:15)



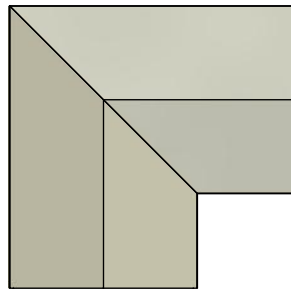
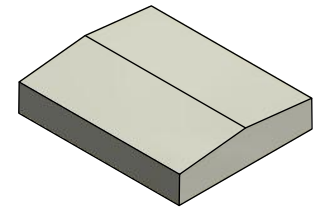
Plan View (1:10)



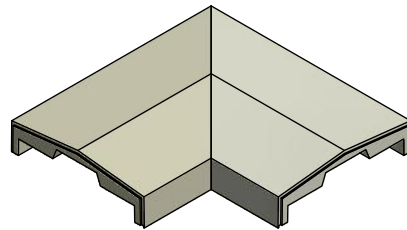
End Elevation (toggle) (1:10)



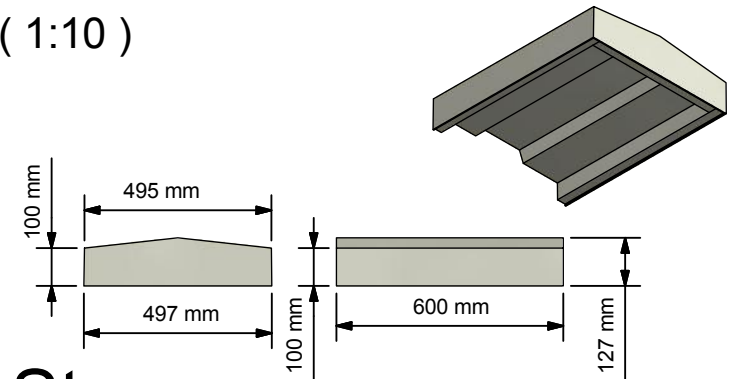
Side Elevation (1:10)



Plan View - Corner Unit (1:20)



Aux View - Int/Ext Corner (1:20)



**Stop
End**

A.1	1st Production Issue / T Piece Added	21/09/2017	Dan P
A	Added To The Vault	21/09/2017	Dan P
REV	DESCRIPTION	DATE	AUTHOR

REVISION HISTORY

Approved	Date	Drawing Number	1201001		
DP	21/09/2017				
Manuf. App	Manuf. App	Sheet	Of	Revision	
DP	21/09/2017	1	2	A.1	



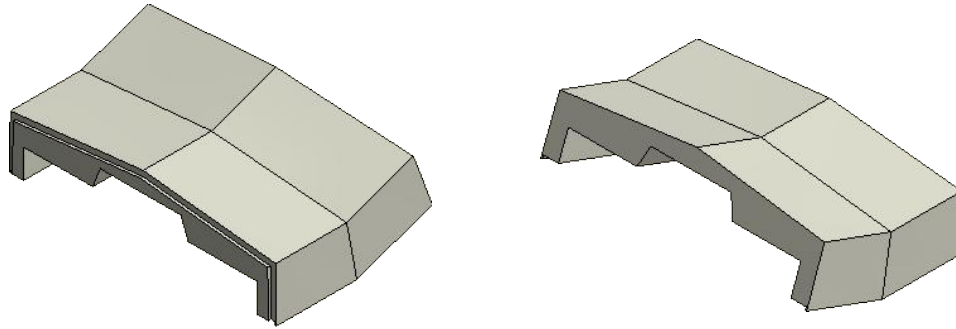
Amington Point, Sandy Way, Amington Ind. Est,
TAMWORTH, Staffordshire, B77 4ED

Description
CopeKing
350 - 400mm Twice Weathered

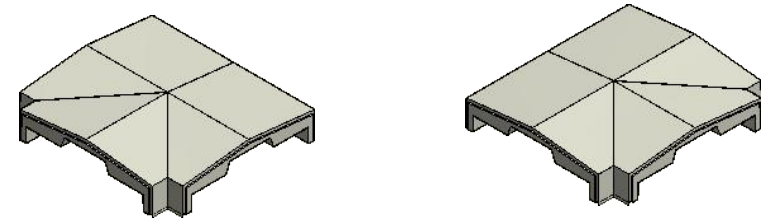
Designed by
Dan P
Date
21/09/2017
Scale
Checked
RS

Manufacture Notes
1. New.

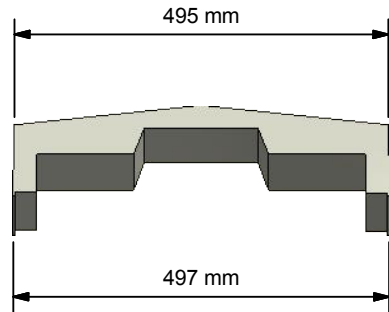
Auxiliary View (1 : 10)



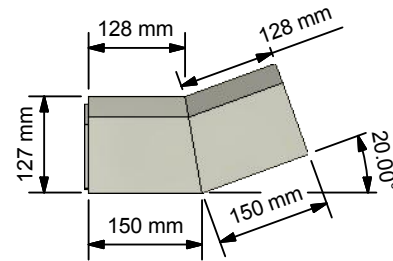
Auxiliary View (1 : 20)



Front Elevation (1 : 10)



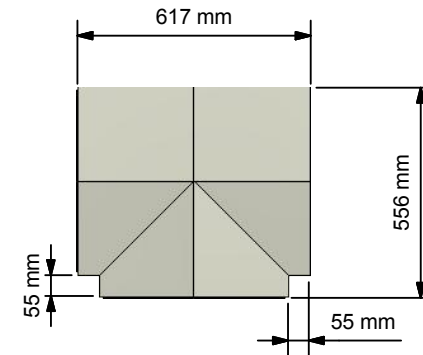
Side Elevation (1 : 10)



Front Elevation (1 : 20)



Plan Elevation (1 : 20)



Amington Point, Sandy Way, Amington Ind. Est,
TAMWORTH, Staffordshire. B77 4ED

Description
CopeKing
350 - 400mm Twice Weathered

Designed by	Date	Manufacture Notes	Approved	Date	Drawing Number	1201001		
Dan P	21/09/2017	1. New	DP	21/09/2017	Sheet	Of	Revision	
Scale	Checked		Manuf. App	Manuf. App	2	2	A.1	
	RS		DP	21/09/2017				