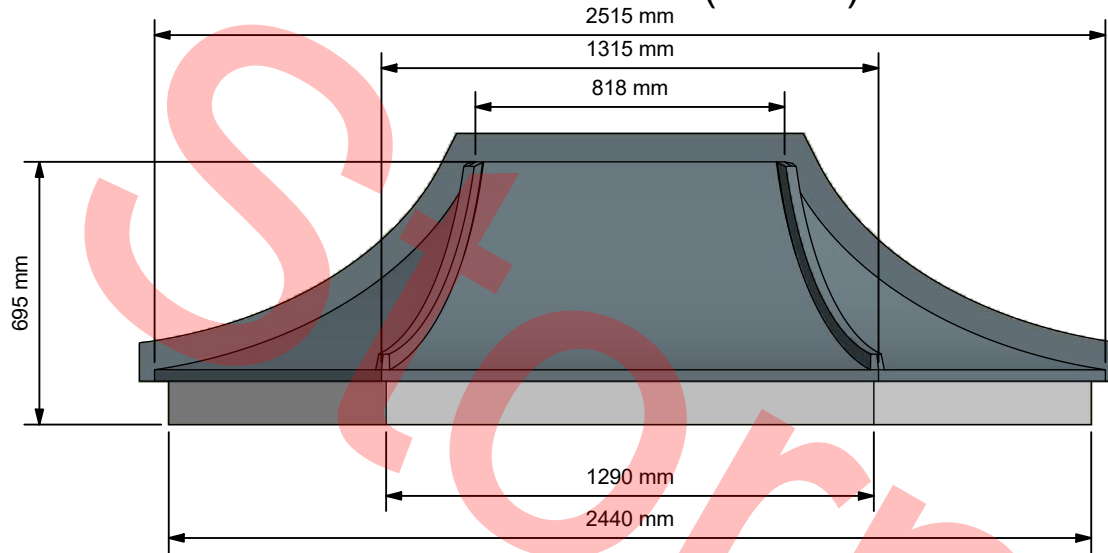
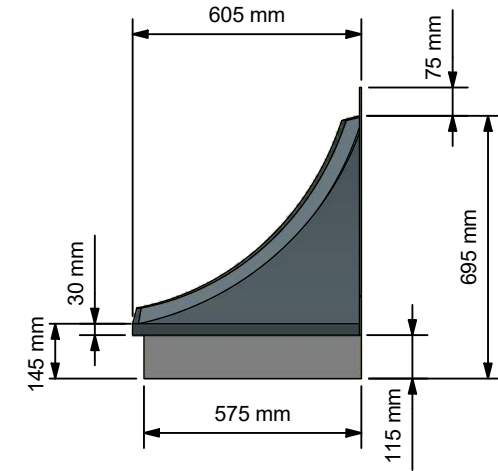


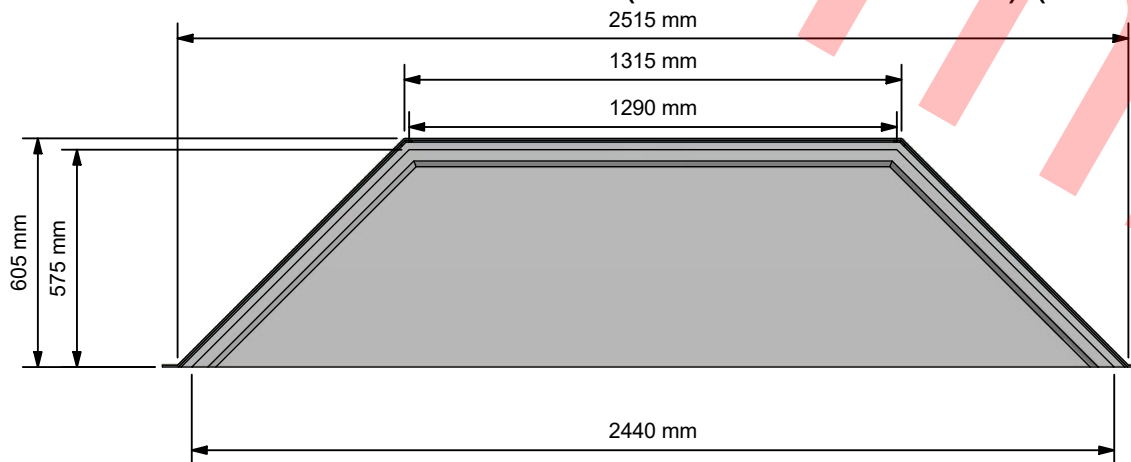
Front Elevation ( 1 : 20 )



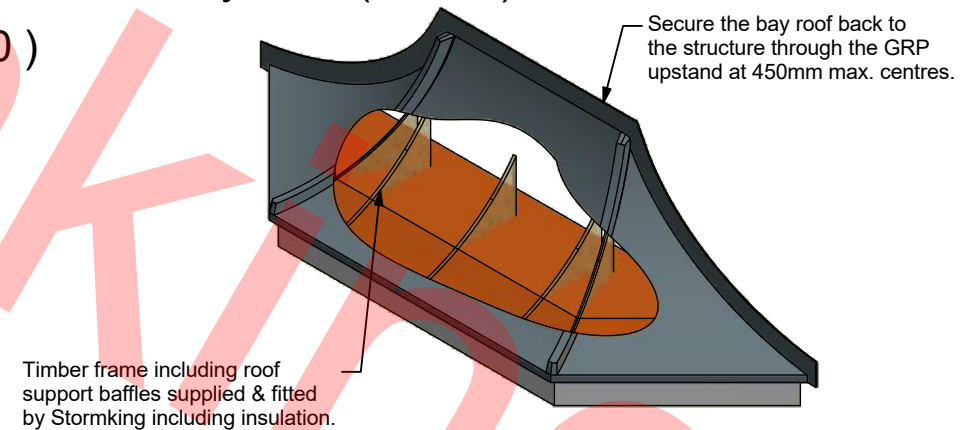
Side Elevation ( 1 : 20 )



Reflected Plan Elevation (View From Beneath) ( 1 : 20 )



Auxiliary View ( 1 : 25 )



A.3	No Revision	28/06/2021	P O
A.2	Revised Description	25/06/2021	P O
A.1	1st Production Issue	22/04/2021	P O
A	1st Issue	21/04/2021	P O
REV	DESCRIPTION	DATE	AUTHOR

REVISION HISTORY



Amington Point, Sandy Way, Amington Ind. Est,  
TAMWORTH, Staffordshire. B77 4ED

Description  
**SP2C Curved Lead Effect  
Splayed Bay Roof**

Designed by	Date	Manufacture Notes 1. New.
Dan Priest	20/04/2021	
Scale	Checked	
		RS

Approved	Date	Drawing Number		
DP	22/04/2021	1161		
Manuf. App	Manuf. App	Sheet	Of	Revision
RS	28/06/2021	1	1	A.3