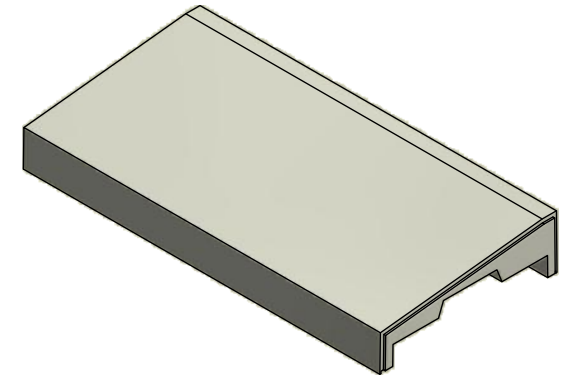
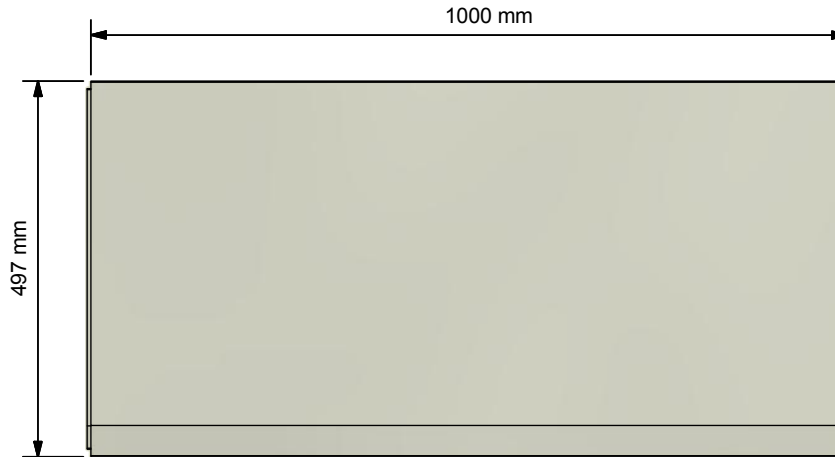
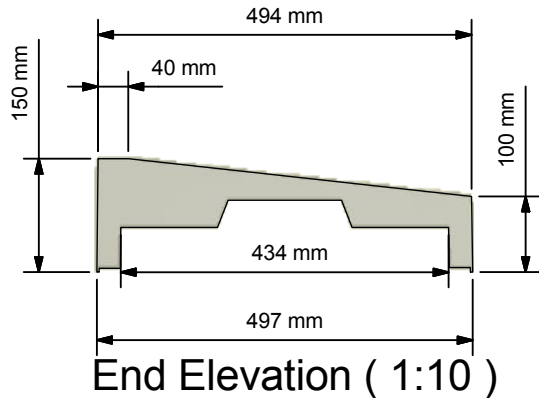


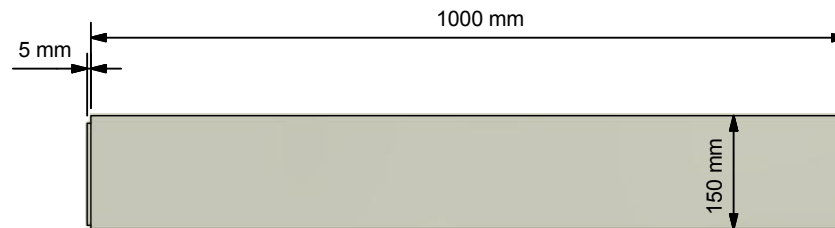
Auxiliary View (1:15)



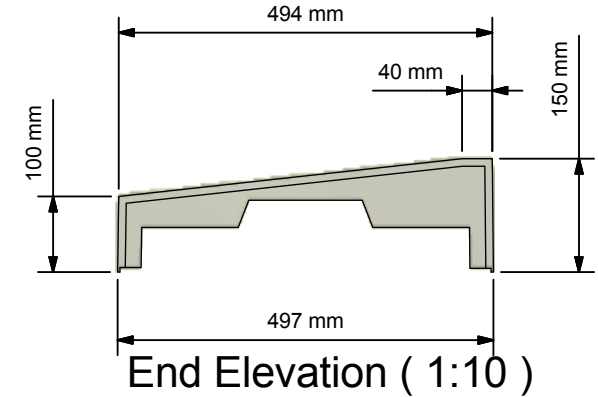
Auxiliary View (1:15)



End Elevation (1:10)



Front Elevation (1:10)



End Elevation (1:10)

REV	DESCRIPTION	DATE	AUTHOR
D.3	Base Mitre Added	12/09/2016	PO
D.2	Stop End Cleared Up	26/08/2014	PO
D.1	Vault Issue With T Piece Added	28/06/2013	PO
D	Stop End Added PO 21.11.12	28/06/2013	PO
C	Foam Profile Added PO 11.05.11	28/06/2013	PO
B	Increase Quantities RJS 03.05.11	28/06/2013	PO
A	Add Quantity Info. RJS 24.04.11	28/06/2013	PO

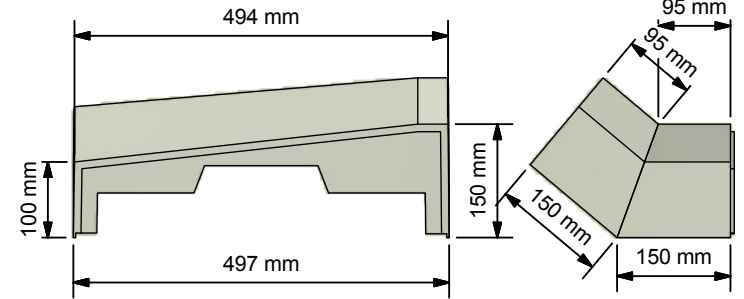
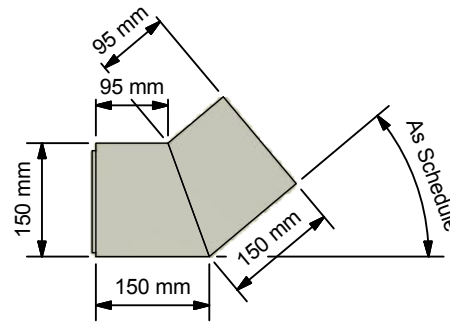
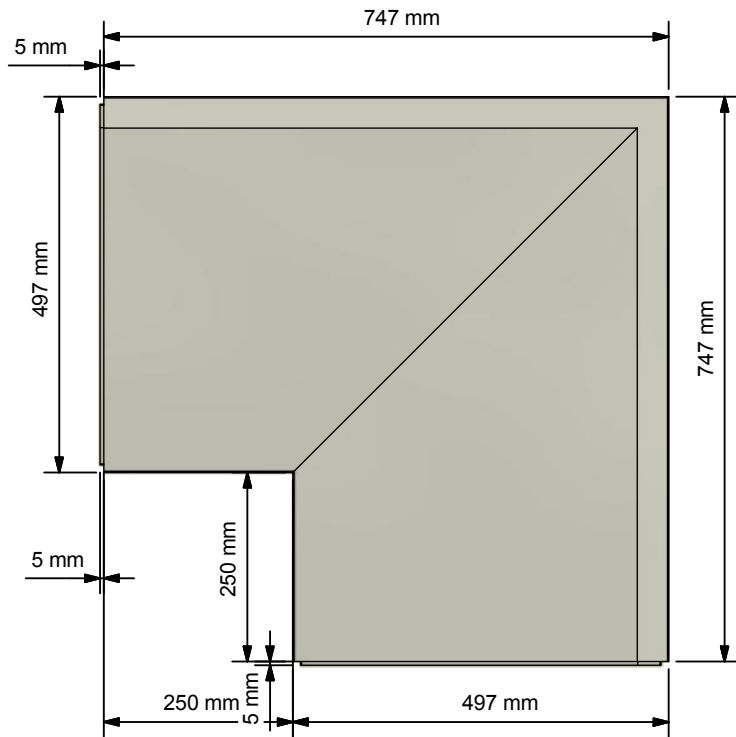
REVISION HISTORY

Approved	Date	Drawing Number		
PO	28/06/2013	1104060		
Manuf. App	Manuf. App	Sheet	Of	Revision
PO	12/09/2016	1	6	D.3

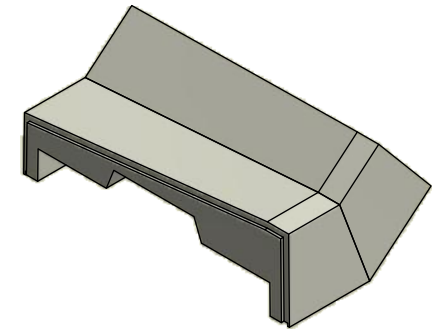


Description
350 - 400mm Single Weathered Copecking

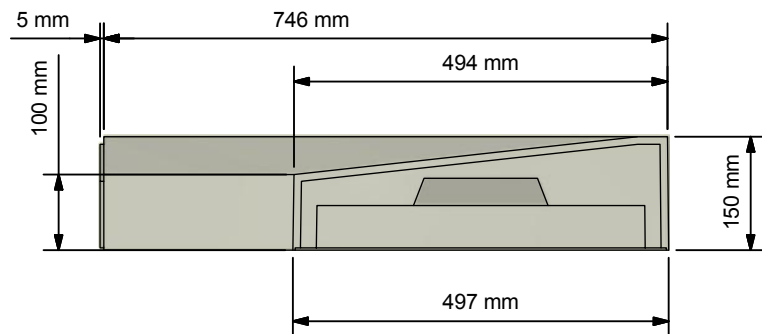
Designed by	Date	Manufacture Notes
PO	28/06/2013	
Scale	Checked	
	GP	



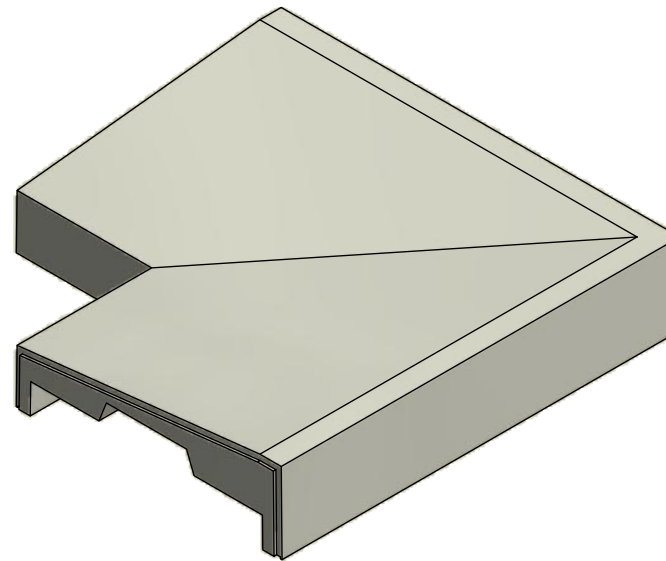
Side View (1:10)
Base Mitre Detail



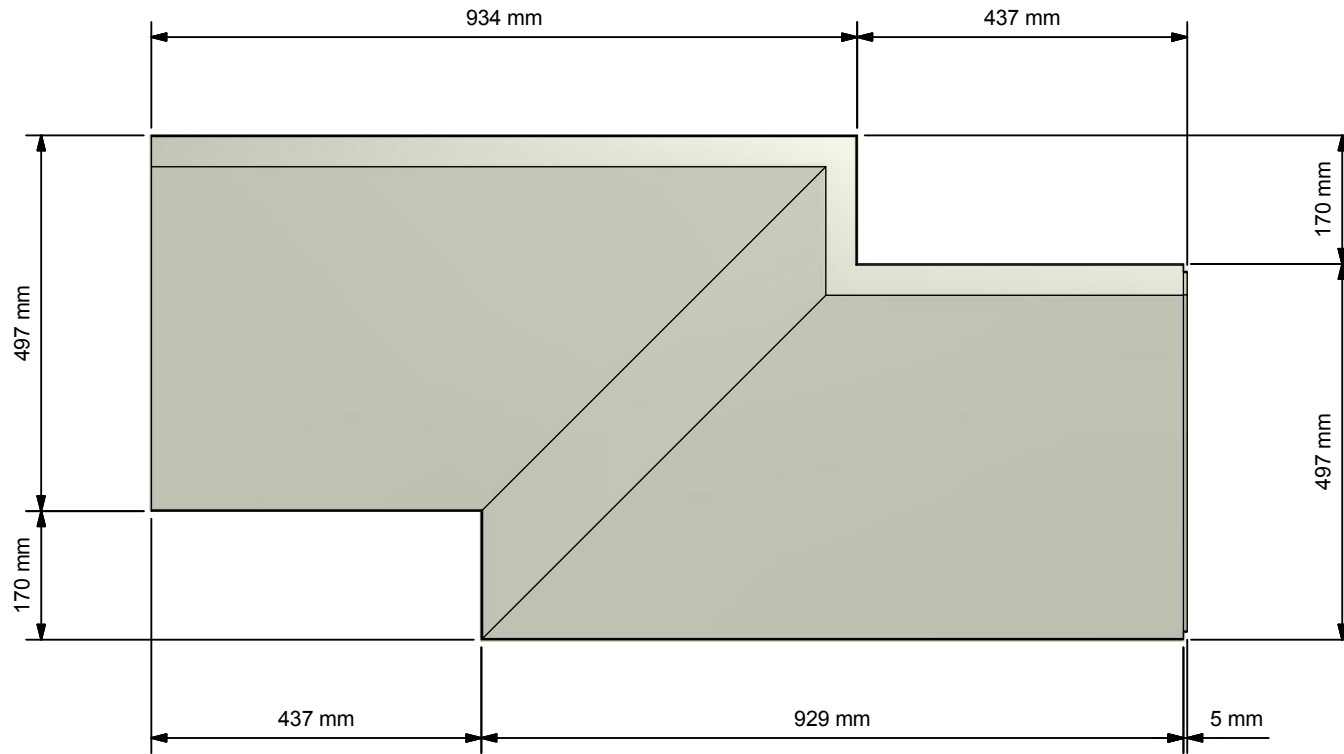
Base Mitre (1:10)



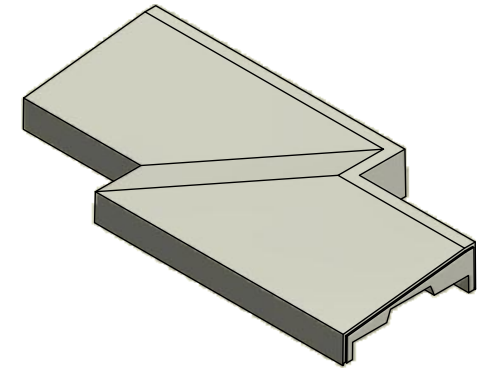
End Elevation (1:10)



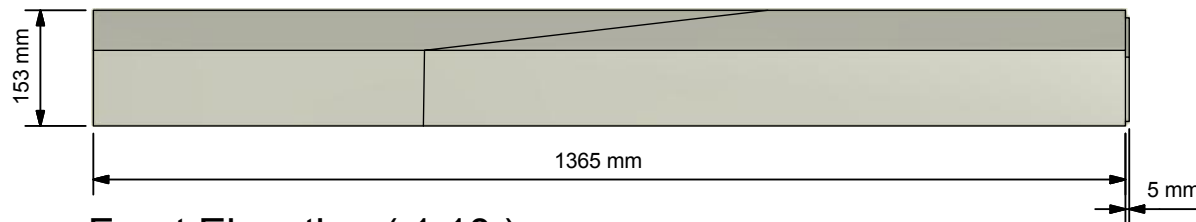
Auxiliary View (1:10)
Externa Corner Detail



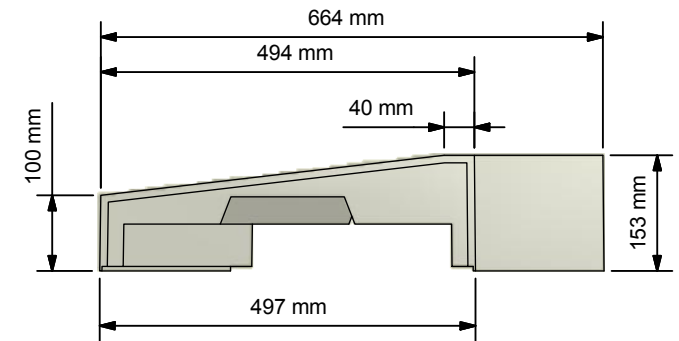
Plan View (1:10)



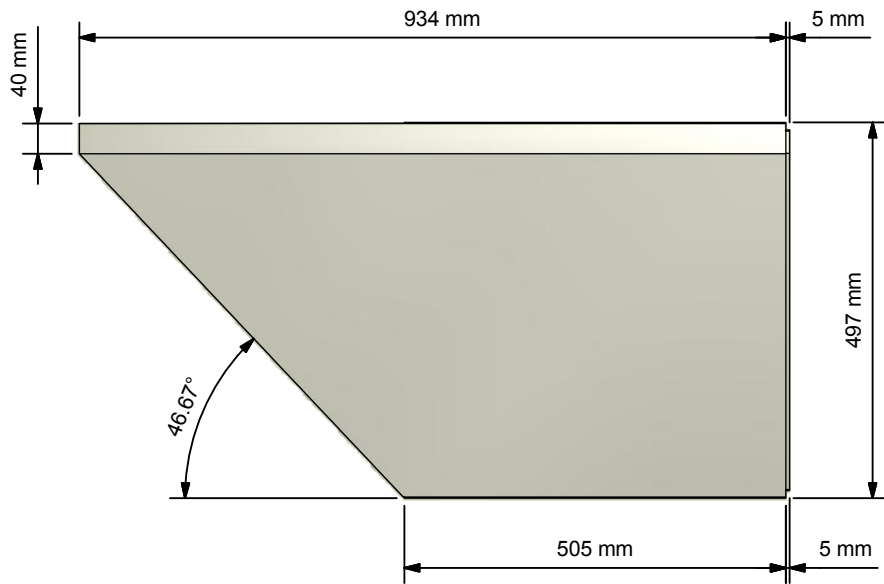
Auxiliary (1:20)



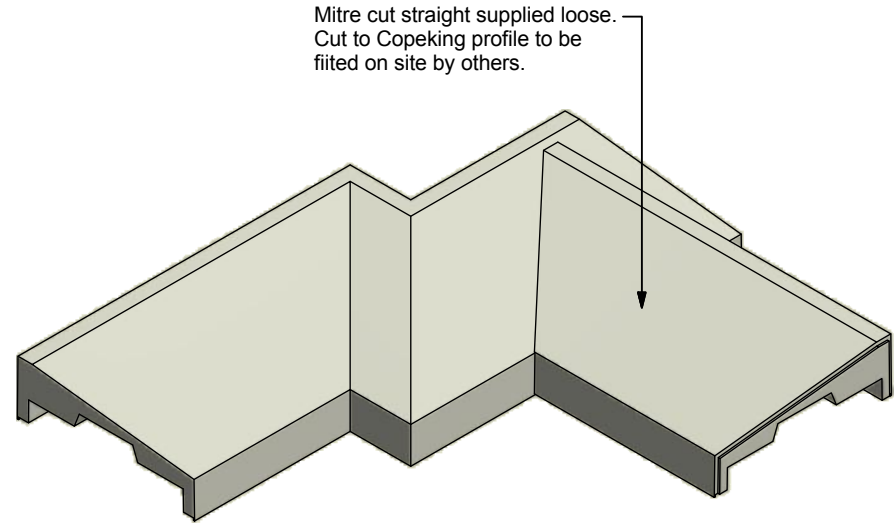
Front Elevation (1:10)



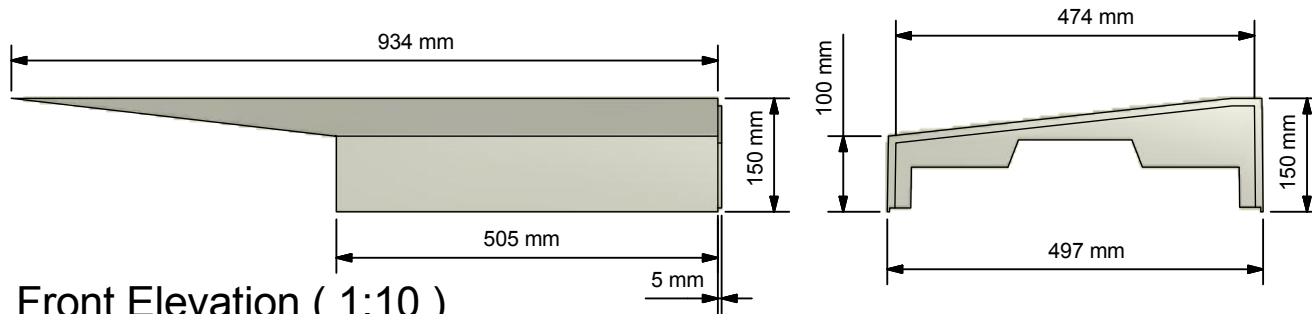
Side Elevation (1:10)



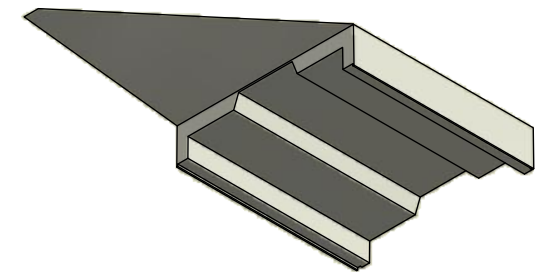
Plan View (1:10)



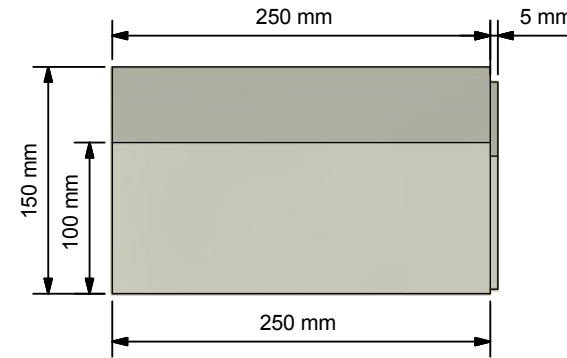
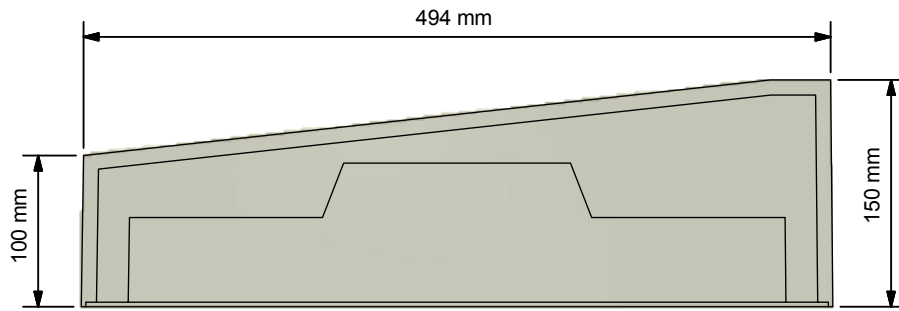
Auxiliary View (1:15)



Front Elevation (1:10)



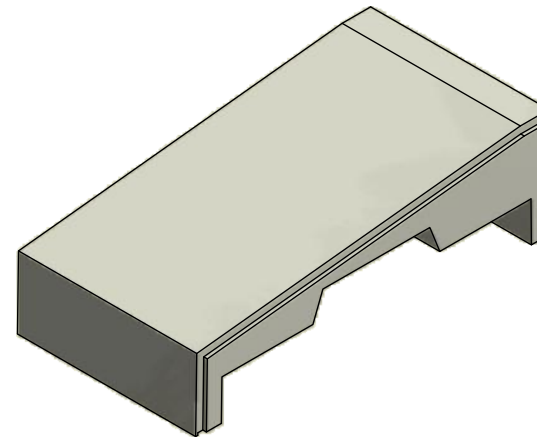
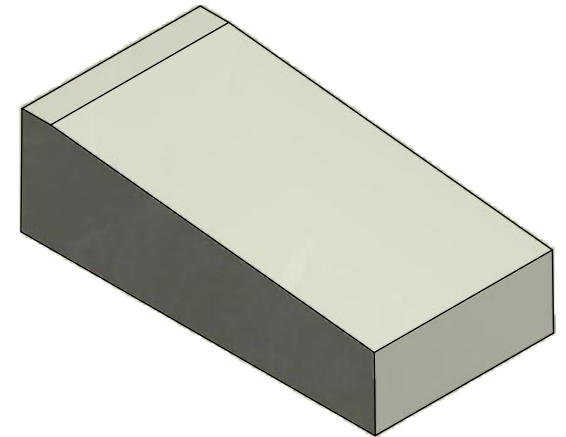
Auxiliary View (1:15)



Right Hand Shown



Plan View (1:5)



Left Hand Fix Also required
To Be Supplied as Pairs



Description
350 - 400mm Single Weathered
Copecking Stop End

Designed by
PO
Scale

Date
28/06/2013
Checked
GP

Manufacture Notes

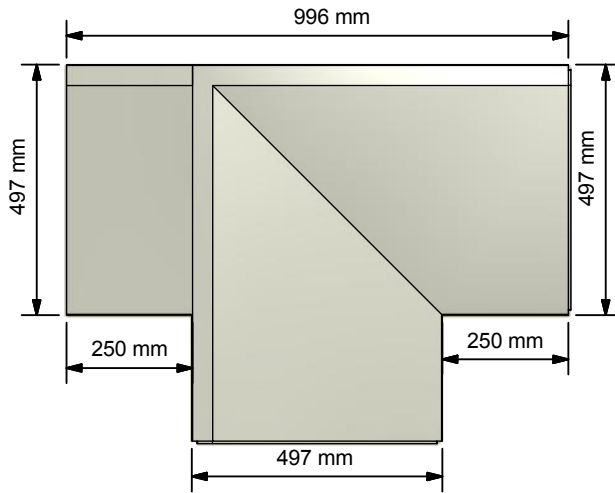
Approved
PO
Manuf. App
PO

Date
28/06/2013
Manuf. App
12/09/2016

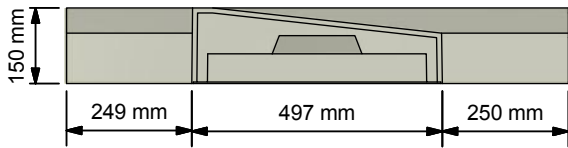
Drawing
Number
Sheet
5

1104060

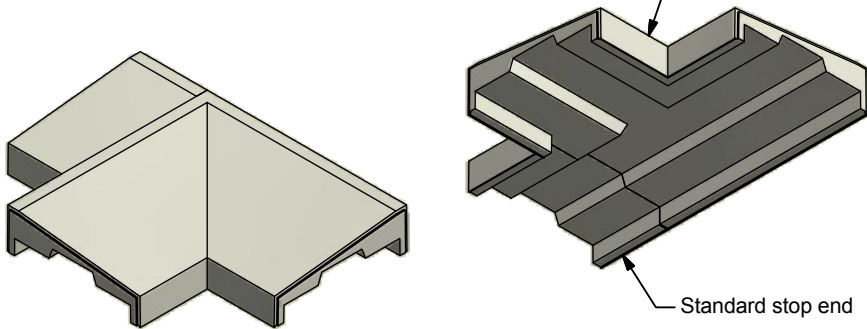
Of
6
Revision
D.3



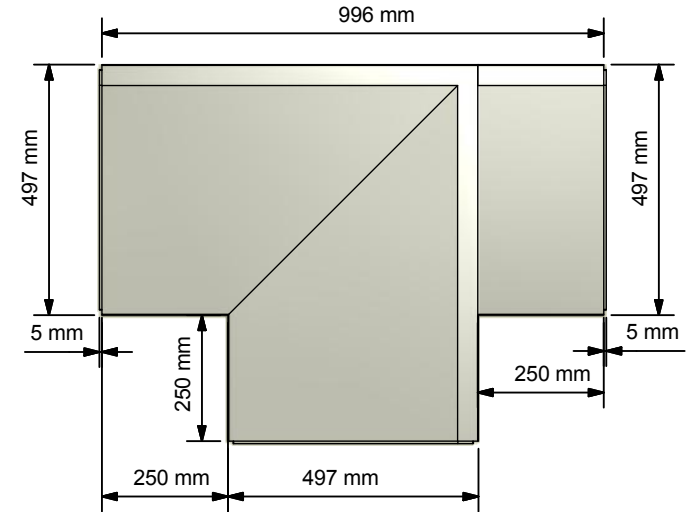
Plan View (1:15)



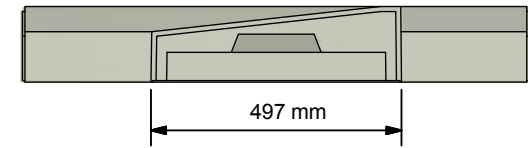
End View (1:15)



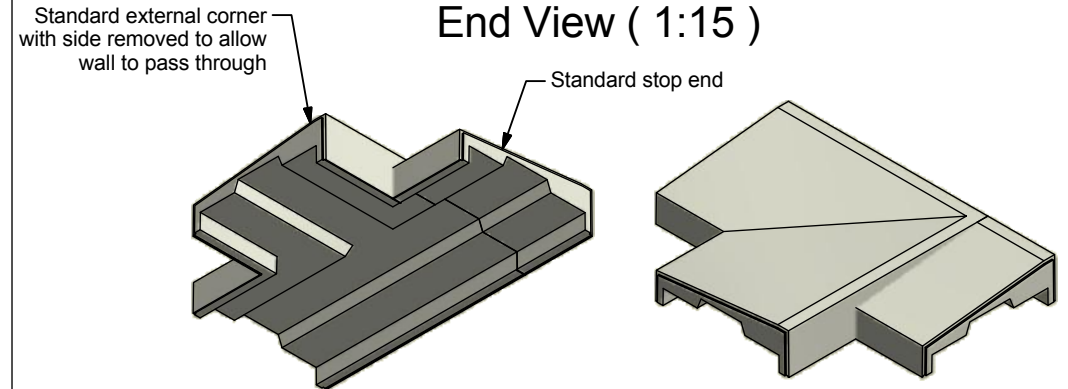
'T' Piece Type 1



Plan View (1:15)



End View (1:15)



'T' Piece Type 2



Description
350 - 400mm Single
Weathered Copeking

Designed by
PO
Scale

Date
28/06/2013
Checked
GP

Manufacture Notes

Approved
PO
Manuf. App
PO

Date
28/06/2013
Manuf. App
12/09/2016

Drawing Number	1104060		
Sheet	Of	Revision	
6	6	D.3	