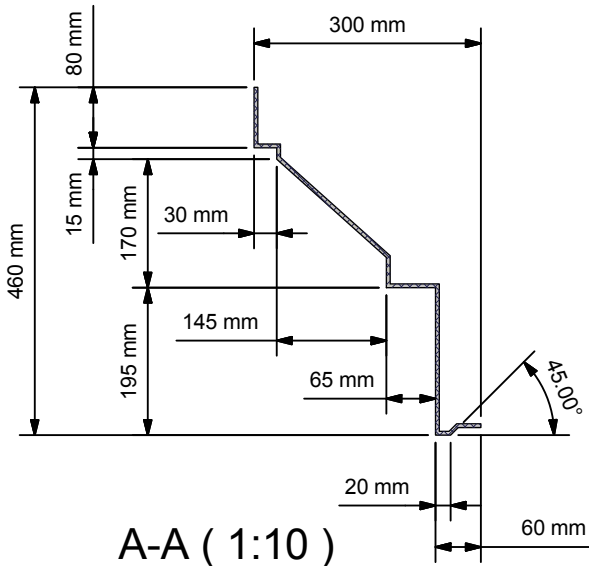
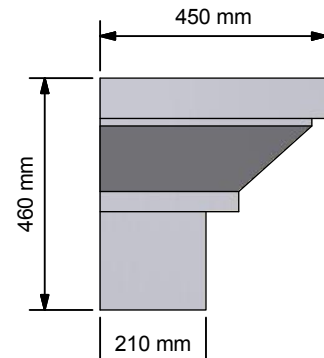


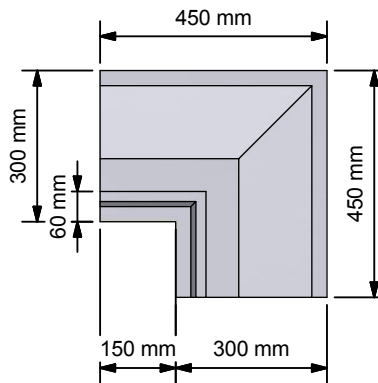
Front Elevation (1:25)



A-A (1:10)

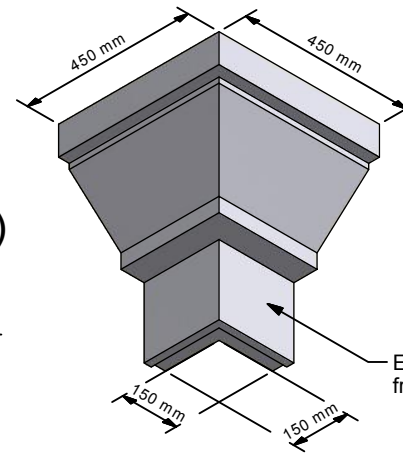


Typical View (1:15)

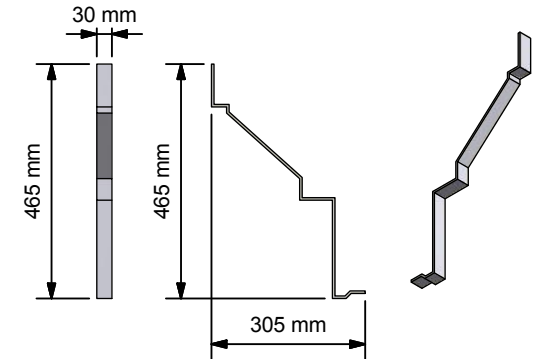


Reflected Plan View (1:15)

90° External Corner



External corner fabricated from standard straight length



Cloaking Strip

A.2	External Corner Added	02/03/2017	P O
A.1	1st Production Issue	02/03/2017	P O
A	1st Vault Issue	02/03/2017	P O
REV	DESCRIPTION	DATE	AUTHOR

REVISION HISTORY

Approved	Date	Drawing Number	110161		
PO	02/03/2017	Sheet	Of	Revision	
Manuf. App	Manuf. App	1	1	A.2	
PO	02/03/2017				



Amington Point, Sandy Way, Amington Ind. Est,
TAMWORTH, Staffordshire, B77 4ED

Description
5000 x 460 x 300mm Cornice

Designed by	Date	Manufacture Notes
P O	02/03/2017	1. New
Scale	Checked	2. fabricated corner
	GP	