

REV	DESCRIPTION	DATE	AUTHOR
A.2	1st Vault Issue	02/06/2015	PO
A.1	1st Vault Issue	01/07/2013	PO
A	Bracket Amended To Suit Head	01/07/2013	PO

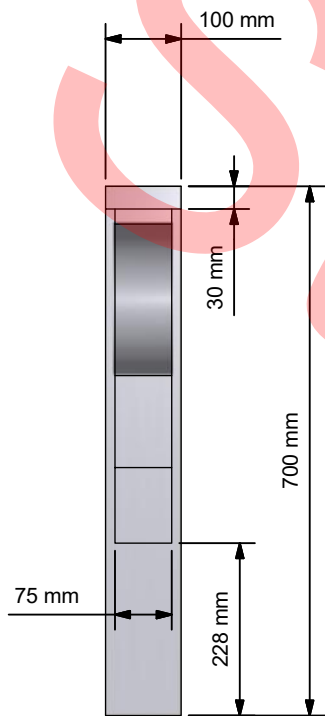
REVISION HISTORY



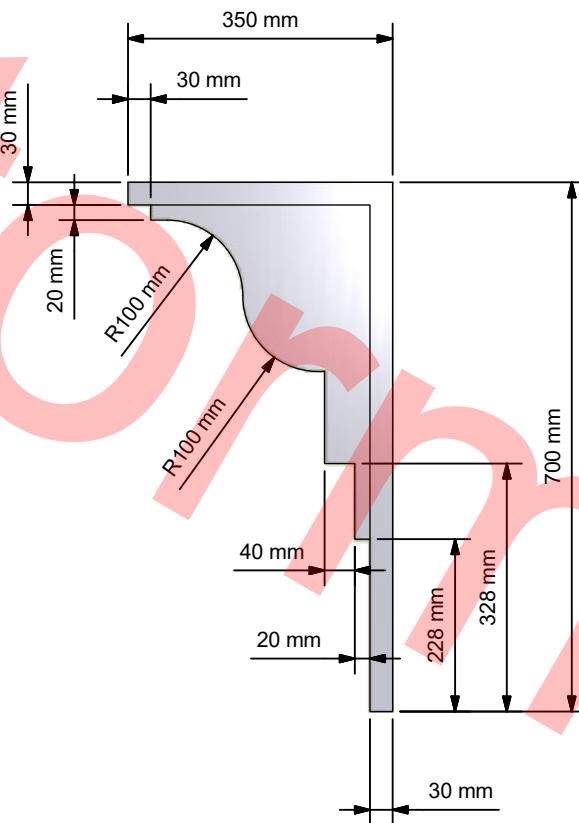
Description
1750mm Door Head & Brackets

Designed by	Date	Manufacture Notes 1. i 05446 Head 2. i 100214 Bracket Fabrication
PO	01/07/2013	
Scale	Checked	
	GP	

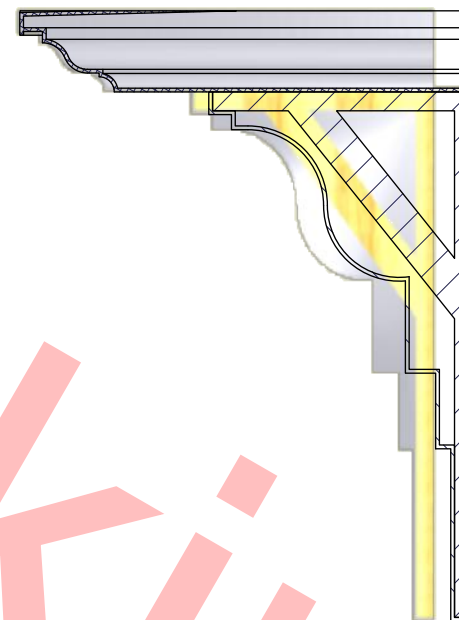
Approved	Date	Drawing Number 100214		
PO	01/07/2013			
Manuf. App	Manuf. App	Sheet	Of	Revision
DP	10/07/2019	1	2	A.3



Front Elevation (1 : 10)



Side Elevation (1 : 10)



A-A (1 : 10)

Timber to be fixed to wall and screw fixed to canopy soffit.
GRP to cloak insert and screw fixed to side of insert.